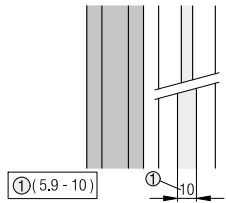
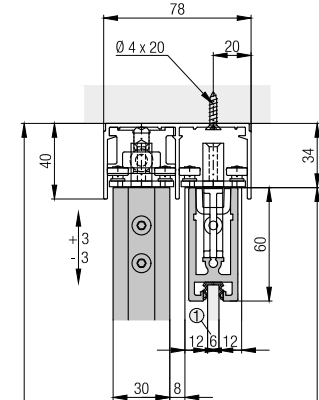


TH = H - 40
 Glas/Glass/Verre / 8mm Holz/Wood/Bois = TH - 104
 10mm Holz/Wood/Bois = TH - 102

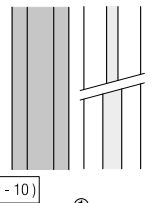


TH = H - 40

Glas/Glass/Verre / 8mm Holz/Wood/Bois = TH - 104
 10mm Holz/Wood/Bois = TH - 102

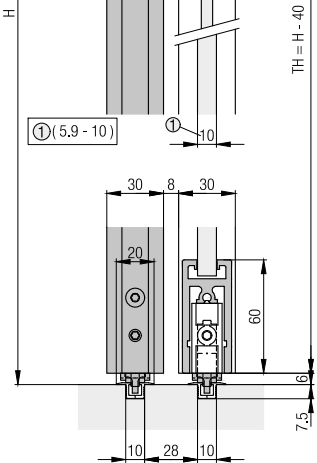


TH = H - 47
 Glas/Glass/Verre / 8mm Holz/Wood/Bois = TH - 104
 10mm Holz/Wood/Bois = TH - 102



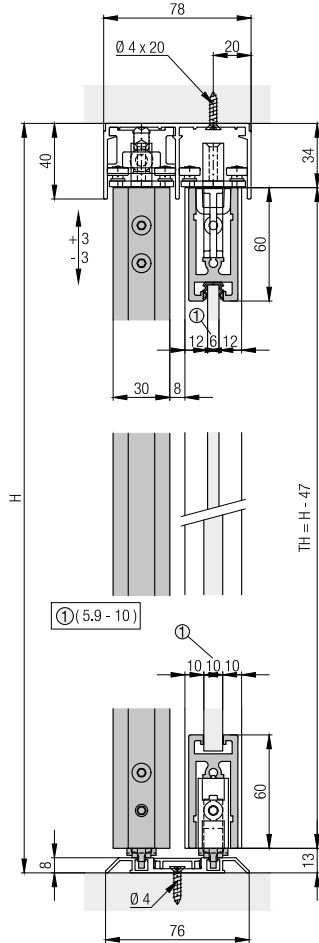
TH = H - 47

Glas/Glass/Verre / 8mm Holz/Wood/Bois = TH - 104
 10mm Holz/Wood/Bois = TH - 102

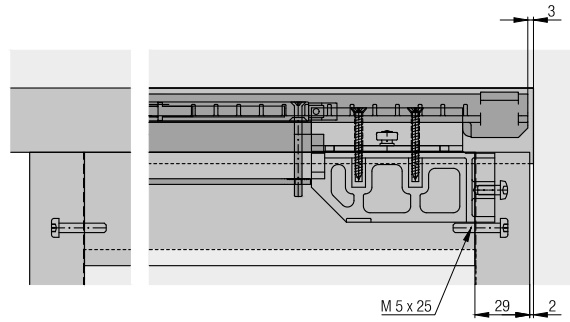


TH = H - 40

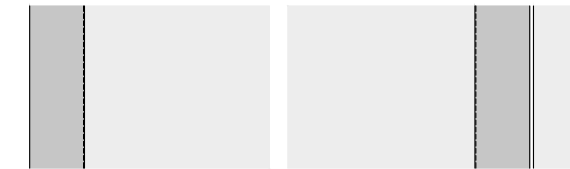
Glas/Glass/Verre / 8mm Holz/Wood/Bois = TH - 104
 10mm Holz/Wood/Bois = TH - 102



TH = H - 47
 Glas/Glass/Verre / 8mm Holz/Wood/Bois = TH - 104
 10mm Holz/Wood/Bois = TH - 102



M 5 x 25

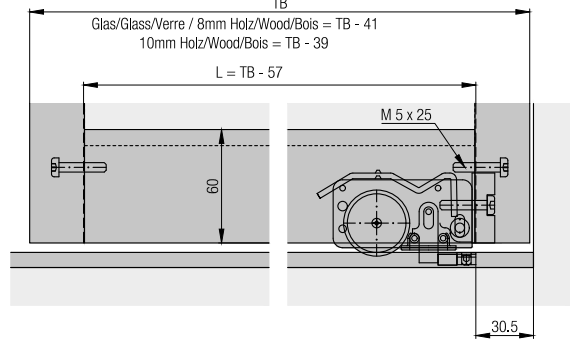


TB

Glas/Glass/Verre / 8mm Holz/Wood/Bois = TB - 41

10mm Holz/Wood/Bois = TB - 39

L = TB - 57



M 5 x 25