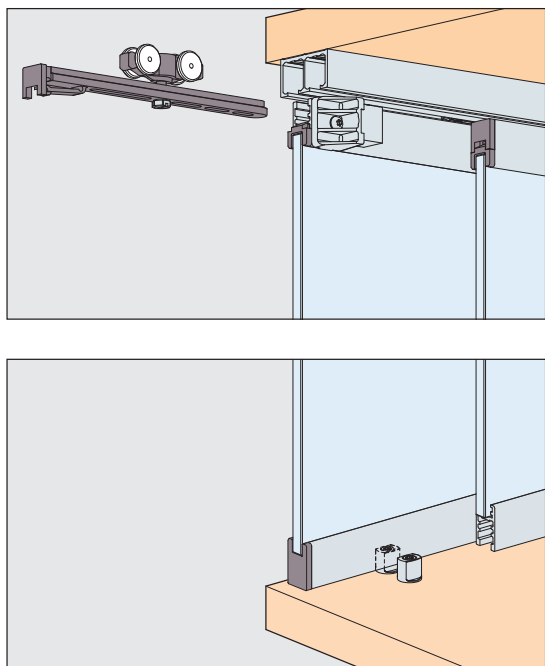


Montageanleitung Mounting instructions Instructions de montage



max. 1000 mm
max. 1400 mm
max. 16 kg
ESG Glas
Tempered Glass
6 mm – 6.35 mm Glas
Glass / Verre

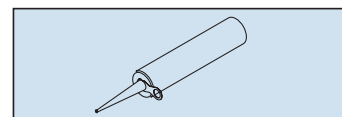
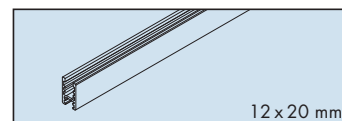
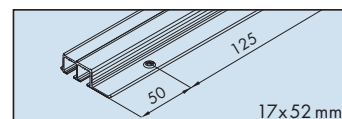
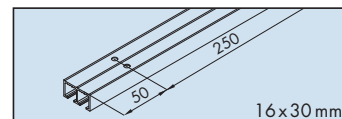
Garnituren / Sets / Garnitures

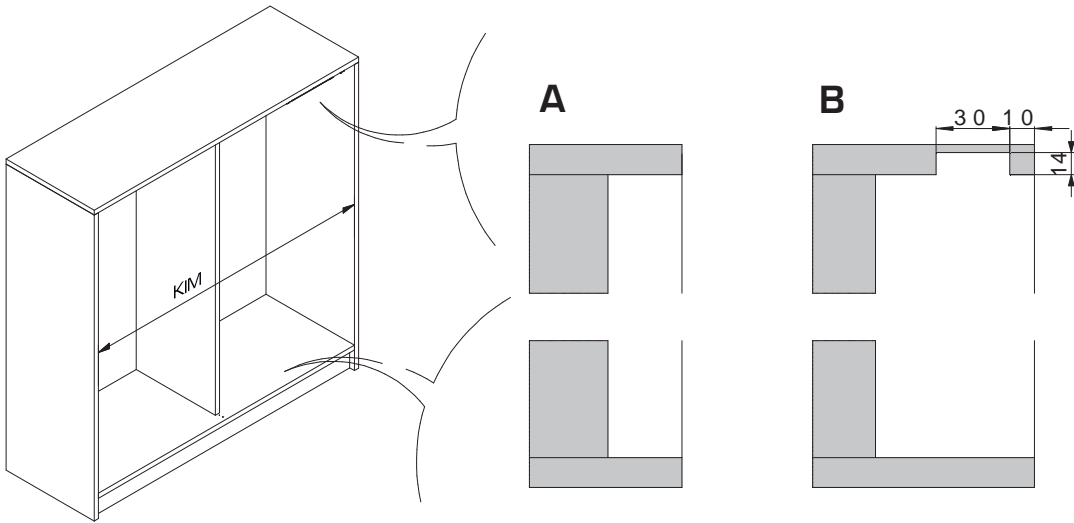
| GPK | | No. 053.3264.071 | |
|----------------------------|----|------------------|----|
| 2 Türen Doors Portes | | | |
| | 4x | | 4x |
| | 2x | | 1x |
| | 2x | | |

| GPPK | | No. 053.3265.071 | |
|----------------------------|----|------------------|----|
| 2 Türen Doors Portes | | | |
| | 4x | | 4x |
| | 2x | | 1x |
| | 2x | | 4x |
| | | | |

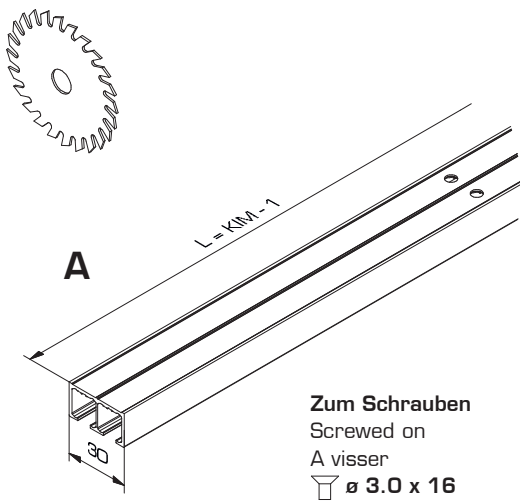
Zubehör/Accessories/Accessoires

| | Gr./Size | Art. No. |
|--|----------|--------------|
| E Doppelaufschiene Alu eloxiert, gelocht, zum Aufschrauben Double running track aluminium anodized, pre-drilled, surface mounted Rail de roulement double en alu anodisé, perforé, à visser en applique | 2500 mm | 053.3247.250 |
| | 3500 mm | 053.3247.350 |
| | 6000 mm | 053.3247.600 |
| F Doppelaufschiene Alu, gelocht, zum Schrauben Double running track aluminium, pre-drilled, for screw fixing Rail de roulement double en alu, perforé, à visser | 2500 mm | 053.3248.250 |
| | 3500 mm | 053.3248.350 |
| | 6000 mm | 053.3248.600 |
| Glasfixierungsprofil, Alu eloxiert, zum Kleben Glass fixing profile, aluminum anodized, for glue fixing Profil de fixation du verre, en alu anodisé, à coller | 2500 mm | 053.3250.250 |
| | 3500 mm | 053.3250.350 |
| | 6000 mm | 053.3250.600 |
| Klebstoff Ceresit 3B Silikon, 310 ml Adhesive Ceresit 3B silicone, 310 ml Colle Ceresit 3B silicone, 310 ml | | 098.0027.000 |

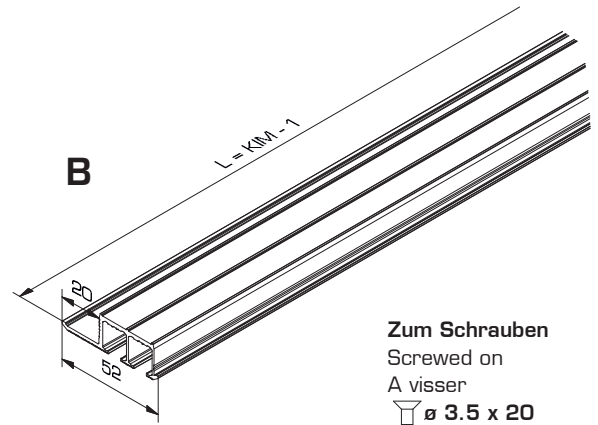




A




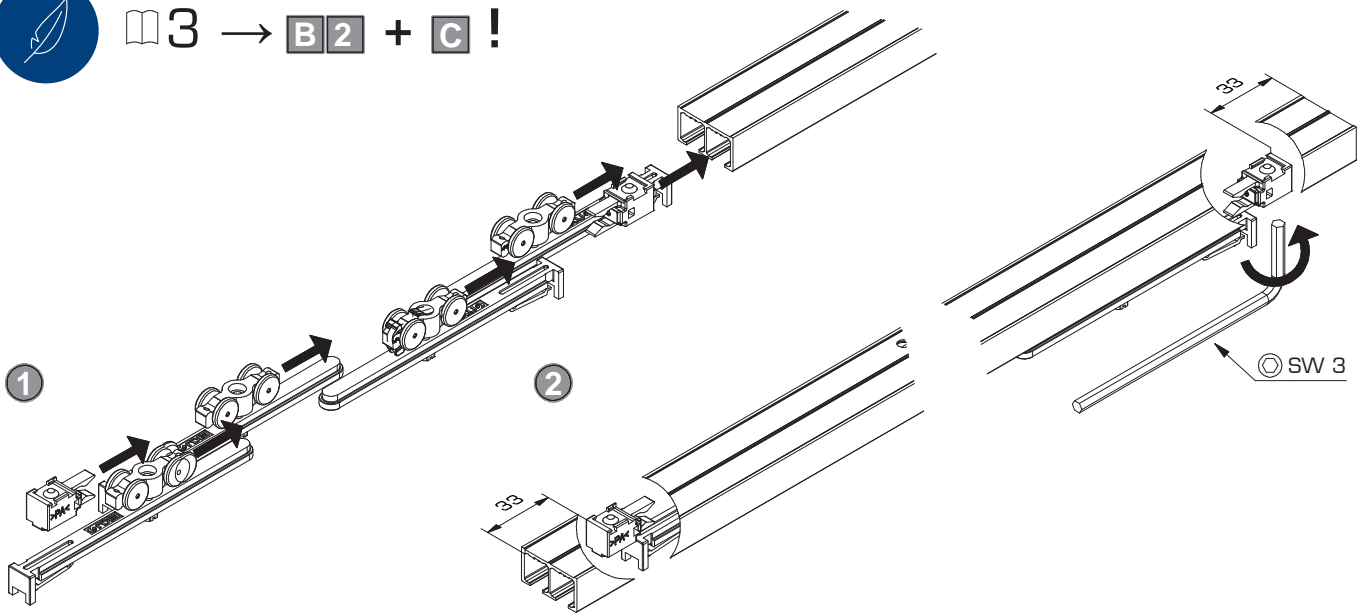
Zum Schrauben
Screwed on
A visser
Ø 3.0 x 16



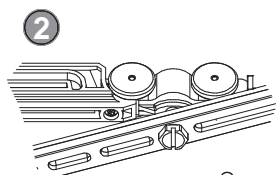
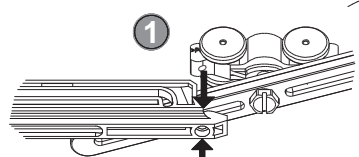
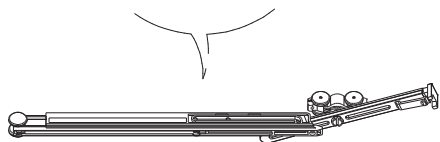
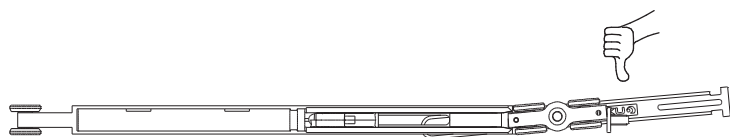
Zum Schrauben
Screwed on
A visser
Ø 3.5 x 20

B 1

!  3 → B 2 + C !



B 2



!! 1.5N !!

⊕ PZ No. 1
⊓ ∅ 2.2 x 8



Empfehlung: Der Zugang zu den Dämpfungskomponenten sollte jederzeit möglich sein. Demontierbare Laufschienen oder Möbelkonstruktion entsprechend planen.

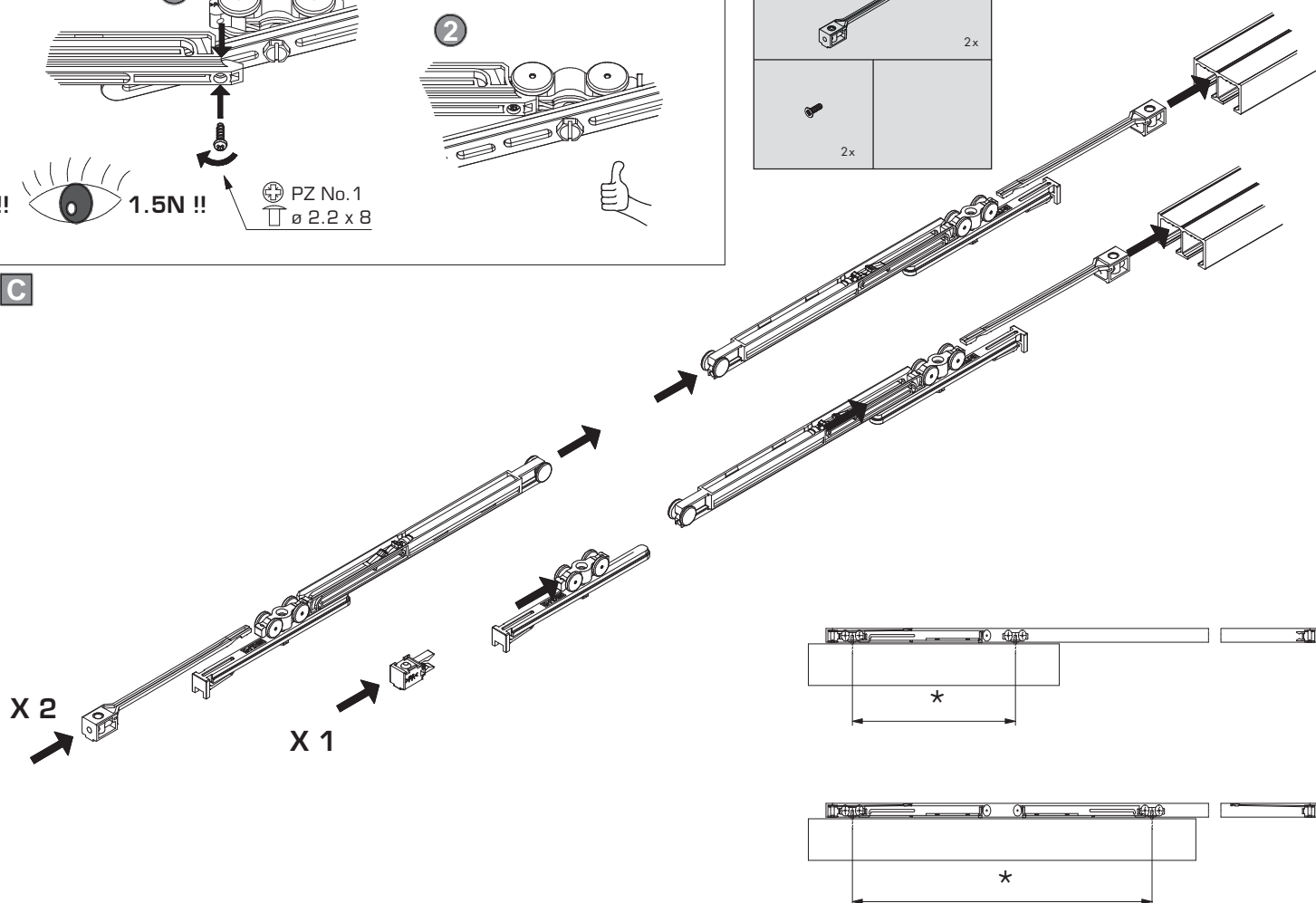
Recommendation: The access to soft-closing components should be possible at any time. Plan removable running tracks or furniture designs accordingly.

Recommandation: L'accès aux composants de l'amortisseur doit être possible é tout moment. Prévoir en conséquence des rails de roulement ou une constructions de meuble démontables

Garnituren / Sets / Garnitures

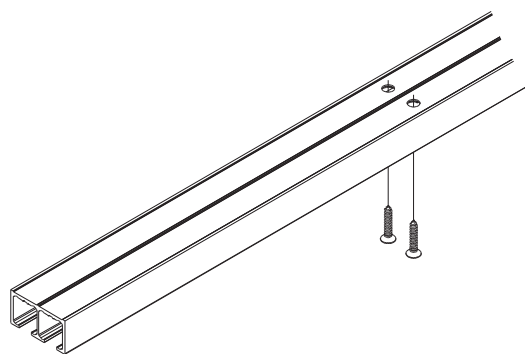
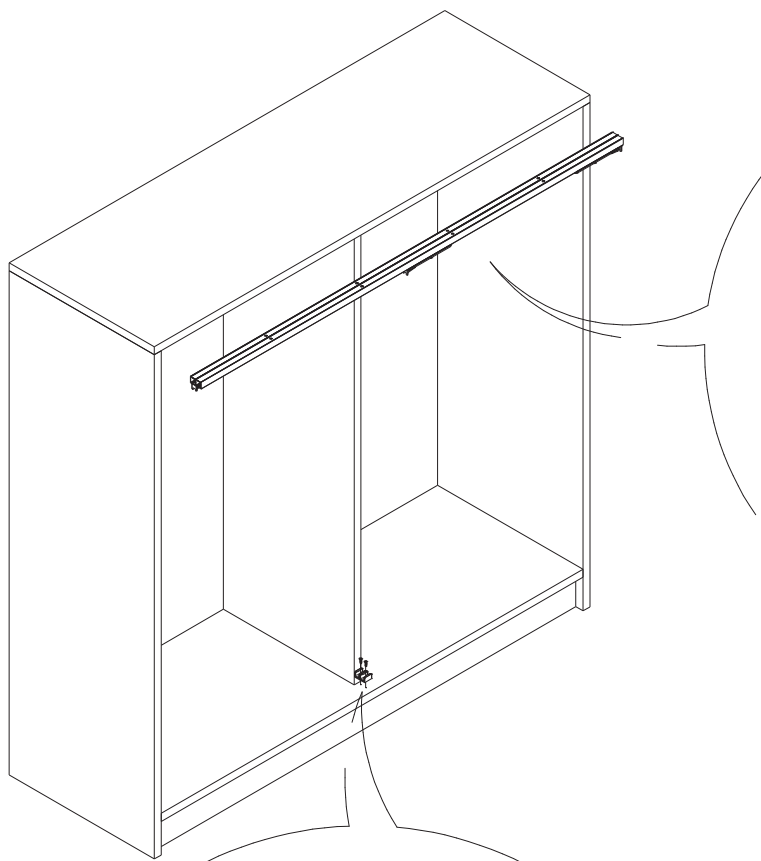
| No. 053.3332.XXX | |
|------------------|----|
| | 2x |
| | 2x |
| | 2x |

C

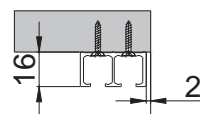


| | | * | bestellen / order / commander |
|-----|---|-------------|-------------------------------|
| X 1 | Dämpfen in Schliessrichtung Soft closing function in closing direction Amortissement dans le sens de fermeture | min. 260 mm | 1x 053.3332.072 |
| X 2 | Dämpfen in Schliess- und Öffnungsrichtung Soft closing function in opening and closing direction Amortissement dans le sens de fermeture et d'ouverture | min. 460 mm | 2x 053.3332.072 |

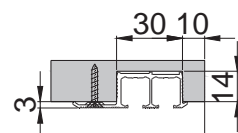
D



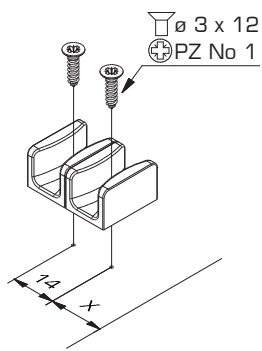
A
Zum Schrauben
Screwed on
A visser
∅ 3 x 16



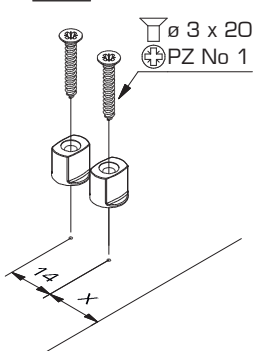
B
Zum Schrauben
Screwed on
A visser
∅ 3.5 x 20



GPK



GPPK

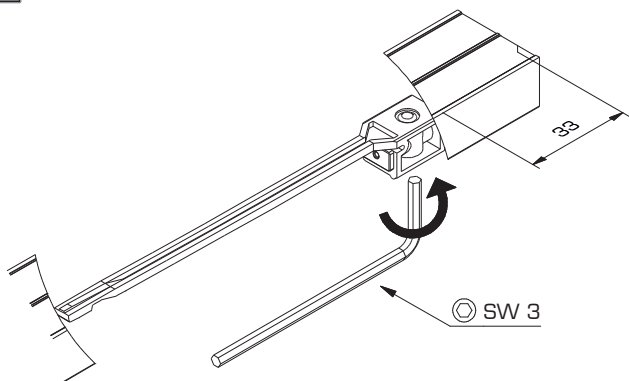


X = mit/with/avec **A** = 10

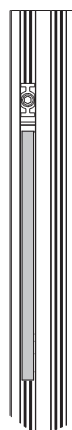
X = mit/with/avec **B** = 17.5

1

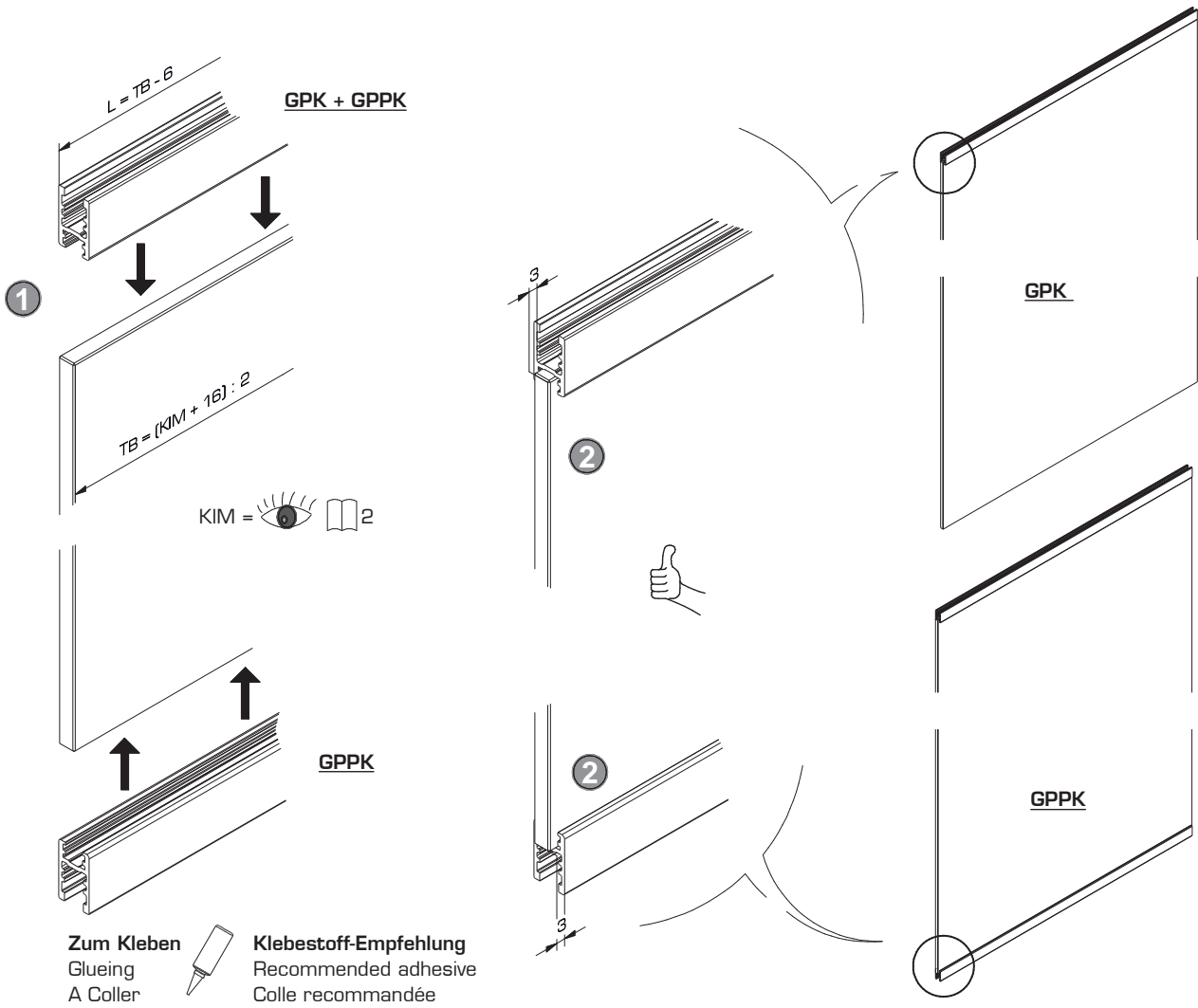
E



2

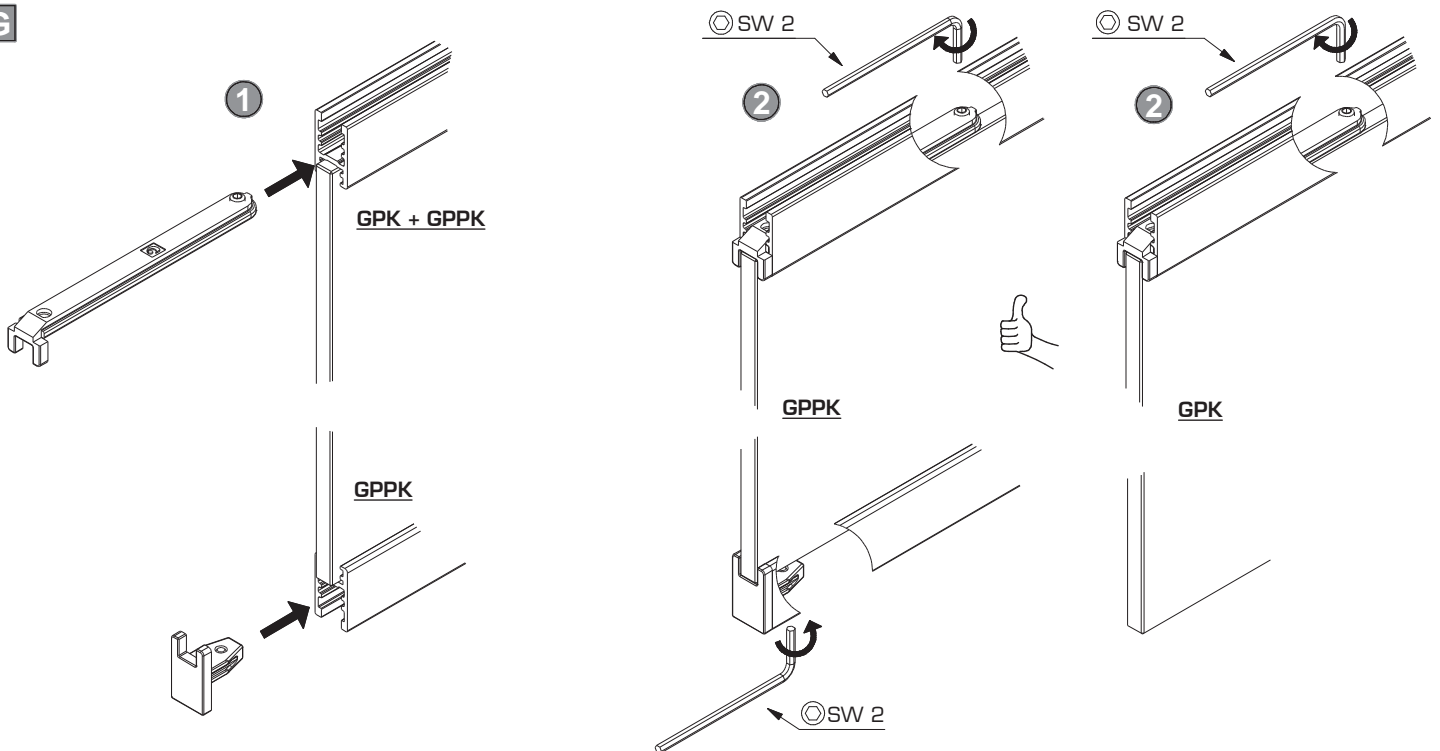


F

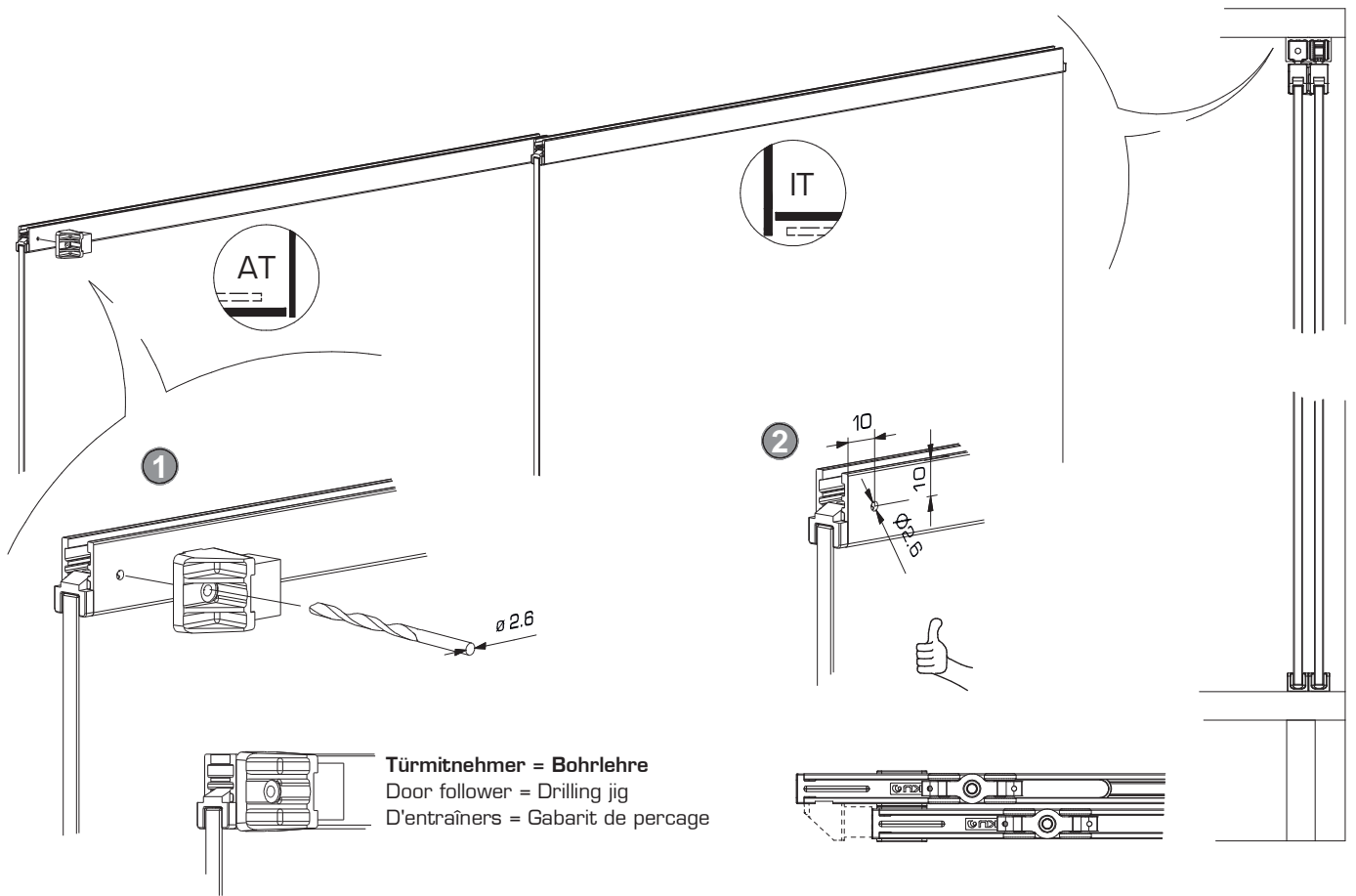


-Elch Pro 3B, Art.No. 098.0027.000
-3M Scotch Weld DP 105
-Ergo 6520 MS-Hybrid-Polymer

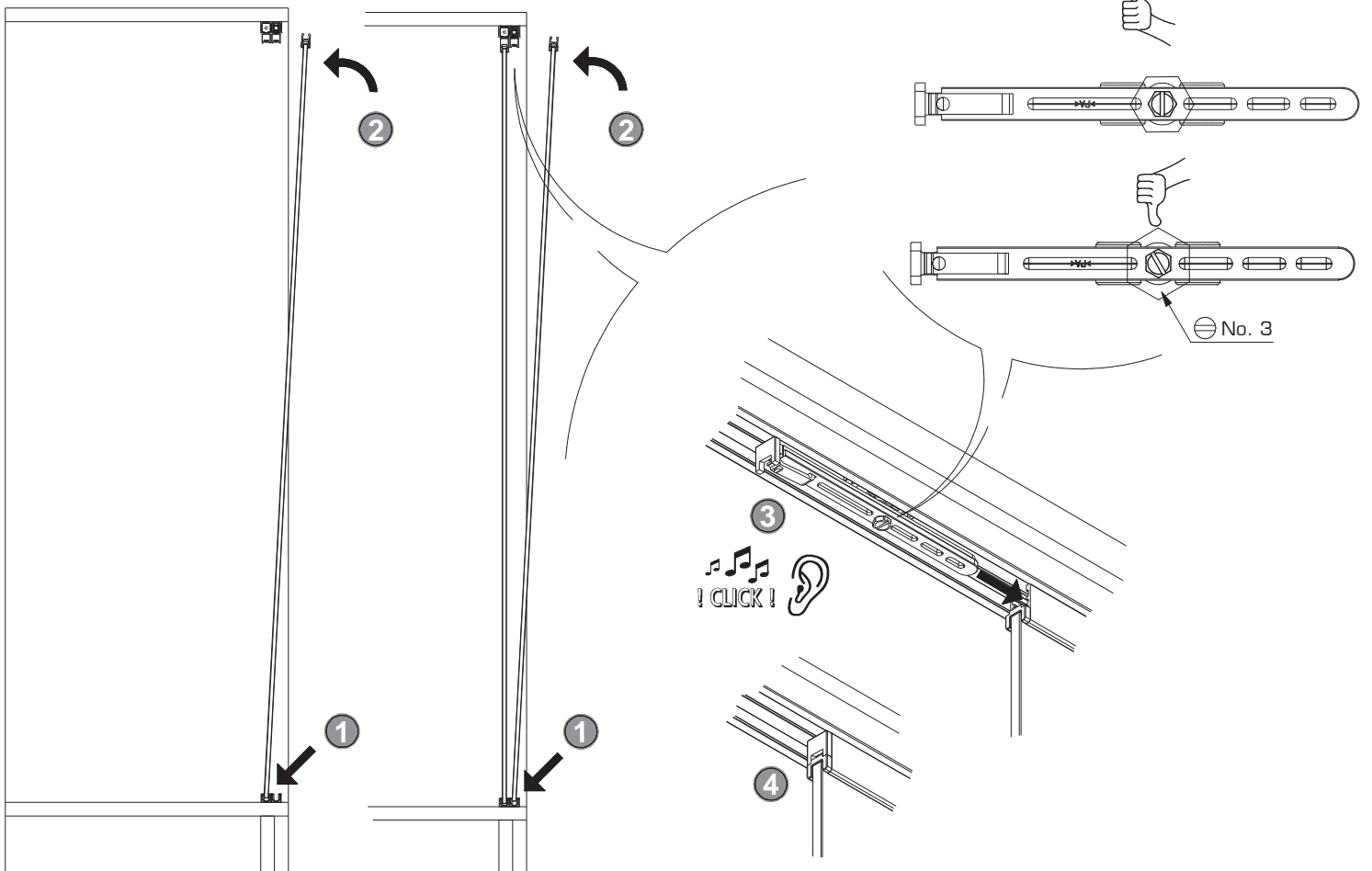
G



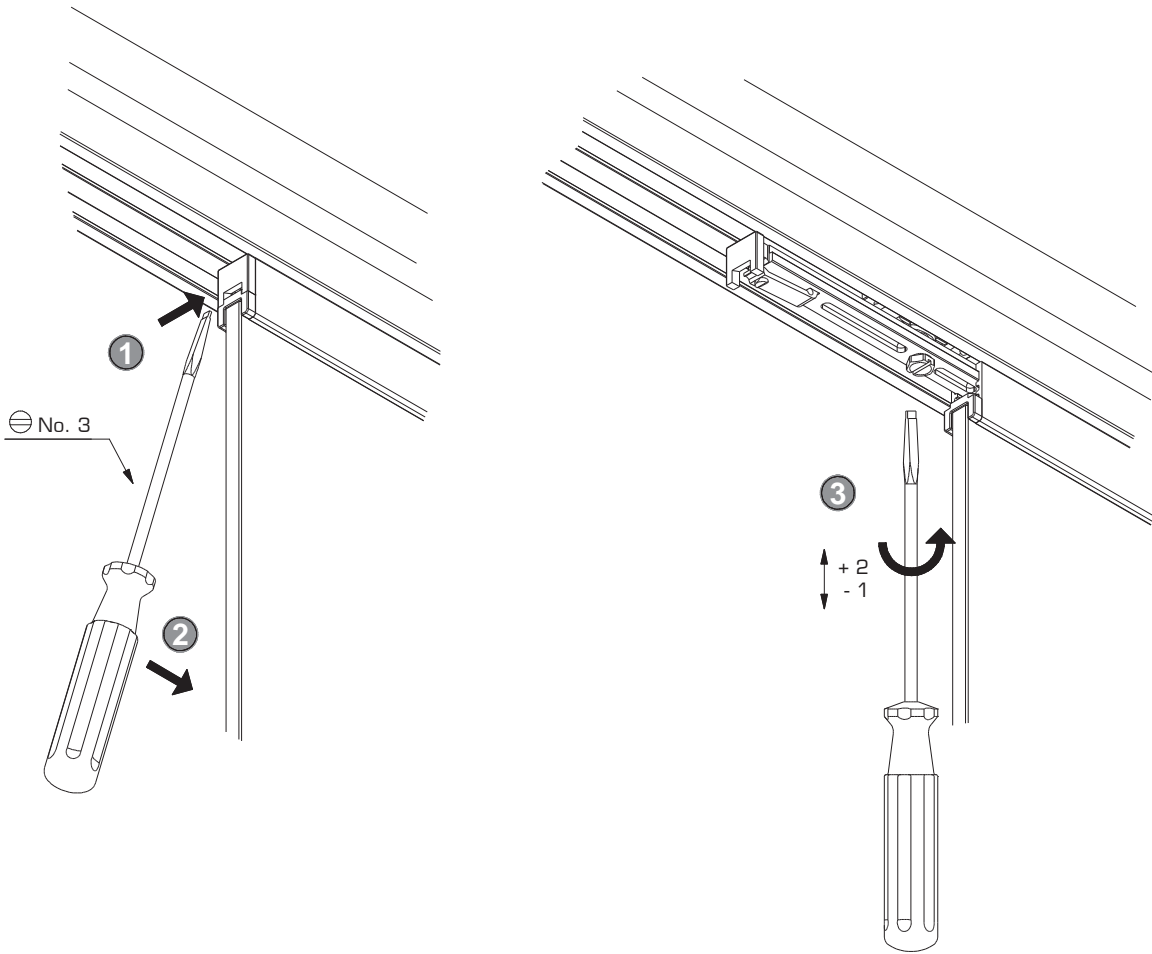
H



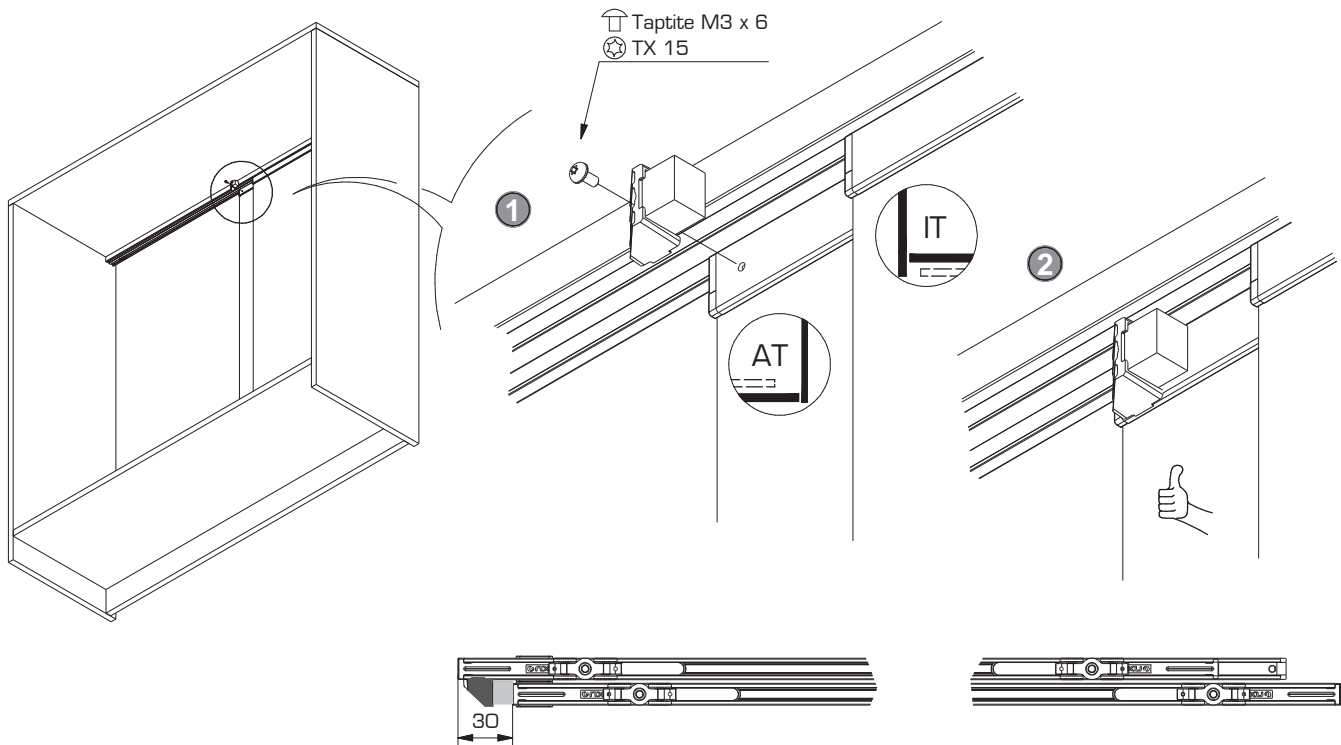
I



J



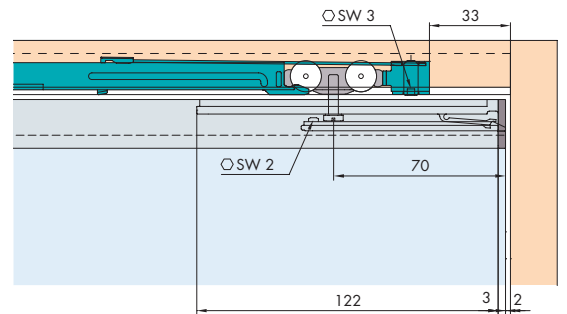
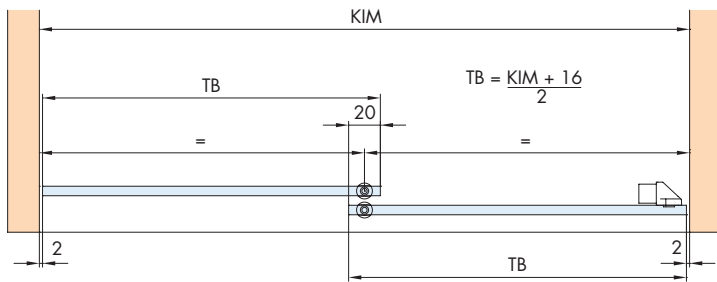
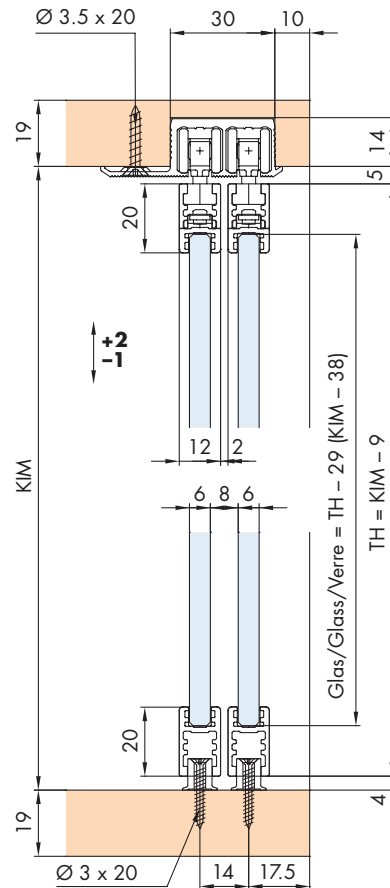
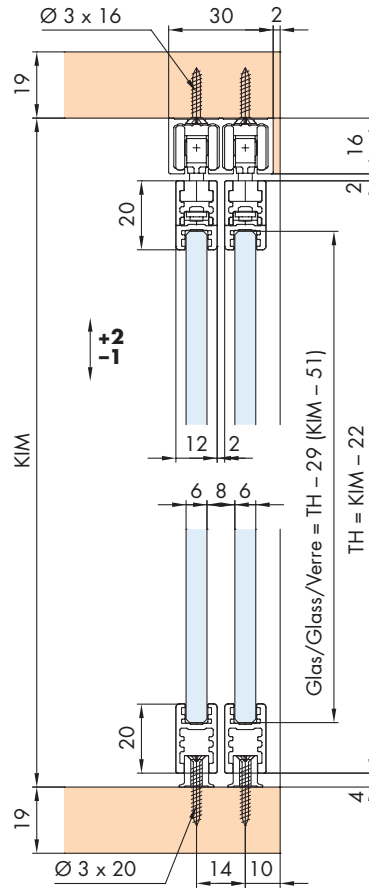
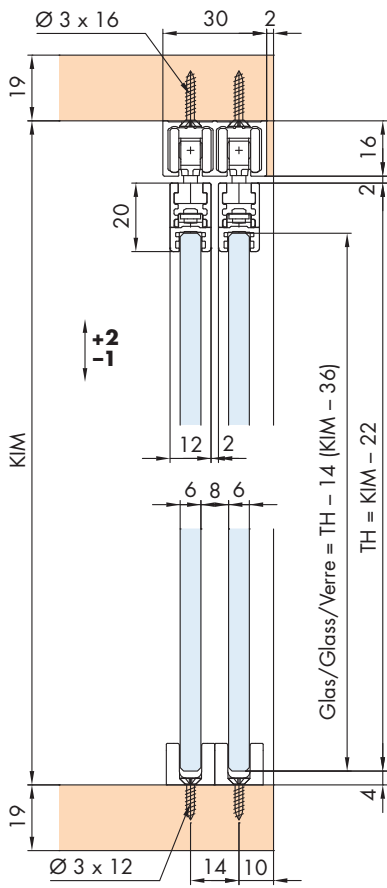
K



Einbaubeispiele | Mounting examples | Exemples de montage

GPK

GPPK



GPK

GPPK

