


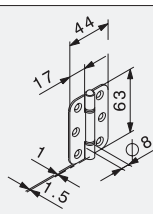
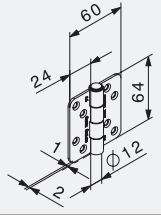
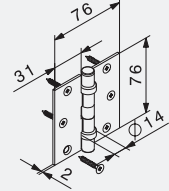


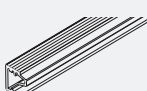

Hinges

		No.
	Hinge, with sliding bearing plastic, steel, zinc-plated	14298
	Hinge, with sliding bearing plastic, steel, dull nickel finish	14299
	Hinge, with sliding bearing plastic, steel, stainless steel WNR 1.4301/AISI 304	14588
	Hinge, stainless steel WNR 1.4404 (A4)	23688
	Ball bearing hinge, with fixing screws, steel, dull nickel finish	10652

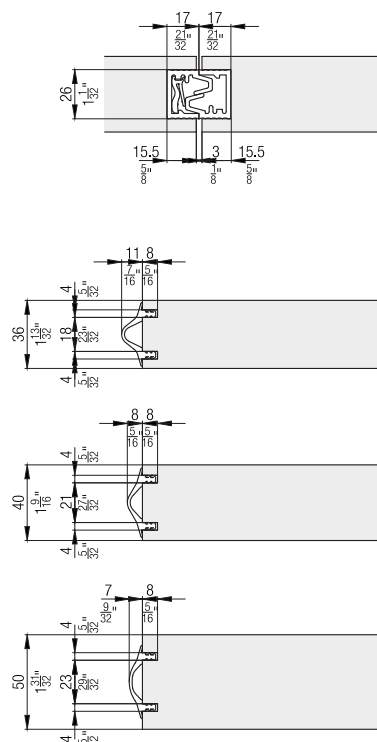
Dimensions hinges

		No.
		14298
		14299
		14300
		14588
		23688
		23688
		10652
		10666

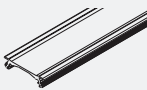
Sealing profiles

		mm (inch)	No.
	Seal profile, aluminum, anodized, pre-drilled	6,000 (19' 8 7/32")	14223
		cut to size	13528
	Rubber profile, black	20,000 (65' 7 13/32")	15340
		cut to size	13571

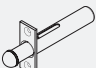
Protective edge trims



Edge protection profiles, rubber

		mm (inch)	No.
	Protective edge trim, black, similar RAL 7021	5,000 (16' 4 27/32")	10626
		10,000 (32' 9 11/16")	12325
	Protective edge trim, brown, similar RAL 8024	5,000 (16' 4 27/32")	10627
		10,000 (32' 9 11/16")	12326
	Protective edge trim, white, similar RAL 9001	5,000 (16' 4 27/32")	10649
		10,000 (32' 9 11/16")	12327
Protective edge trim, beige, similar RAL 1001	5,000 (16' 4 27/32")	15620	
	10,000 (32' 9 11/16")	15621	

Spring loaded buffer for heavy sliding doors

		No.
	Spring loaded buffer, with flange, steel, zinc-plated, for screw fixing	10591

Spring stop

