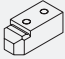
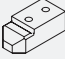




Accessories

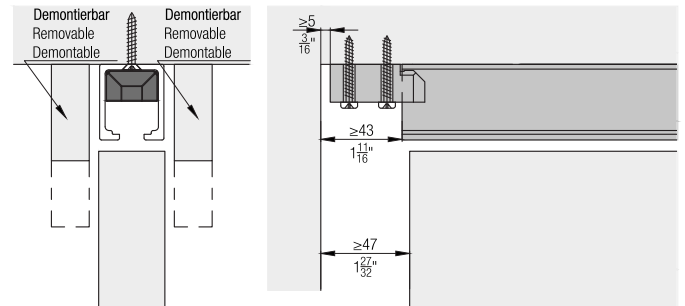
Top track fastening for assembling Disassembling top tracks in wall pockets, Hawa Junior

| | | No. |
|---|---|-------|
|  | Running track fastening Hawa Junior 40, for removable running track, up to max. internal door width of 800 mm (2' 7 1/2") | 27201 |
|  | Running track fastening Hawa Junior 80/100, for removable running track, up to max. internal door width of 850 mm (2' 9 15/32") | 25442 |
|  | Running track fastening Hawa Junior 120, for removable running track, up to max. internal door width of 1000 mm (3' 3 3/8") | 27203 |

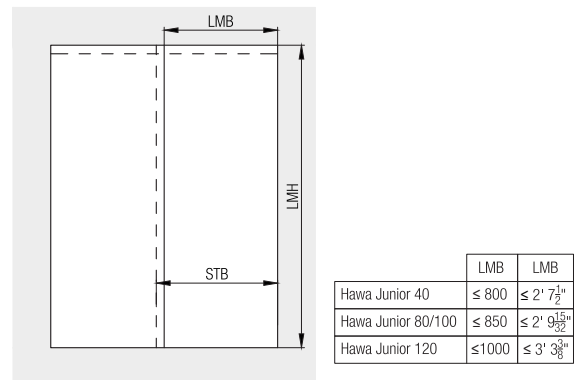
To Hawa Adapto 80/100/120

| | | No. |
|---|---|-------|
|  | Screw for securing running track, 2-piece set | 25612 |

Installation examples



Maximum dimensions



Further installation examples with Hawa Adapto

