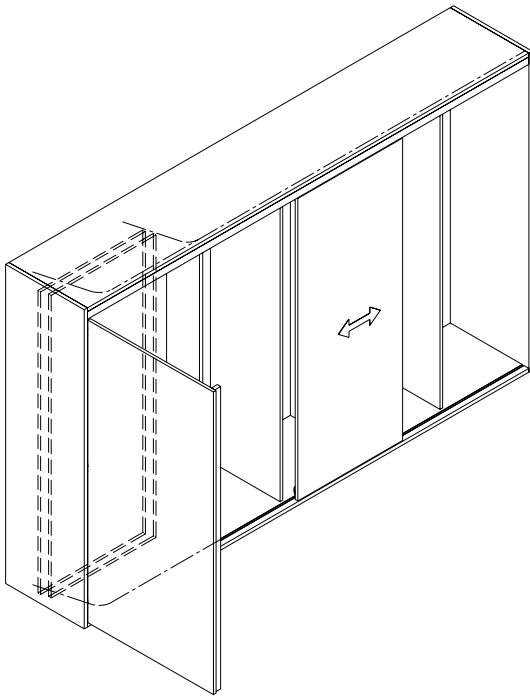


**Hardware system for cabinet sliding doors up to 40 kg (88 lbs.).
Stacking parallel to the sliding axis.**



Descripton

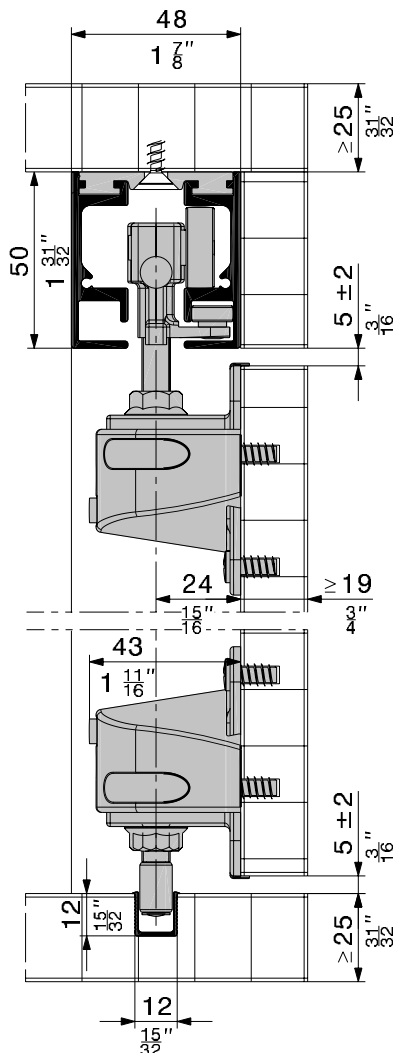
Convenient sliding door hardware system for multi-door cabinet fronts weighing up to 40 kg (88 lbs.), that can be stacked out of sight in a niche or cabinet compartment.
When closed, the cabinet front is flush, with uniform gaps between panels if desired, even in combination with hinged doors on upper and lower cabinets.
With this sophisticated system, the same hardware kit may be used for left and right-hand stacking areas. The number and width of door panels is also flexible.
Unrestricted access to the entire cabinet width while the front is open.

Applications

All types of furniture with frequently-opened doors, like media walls, office cabinets, shop installations, counter-top to ceiling shutters, kitchenettes, and everywhere that requires space-saving door opening.

Features of the Hawa Aperto 40 F

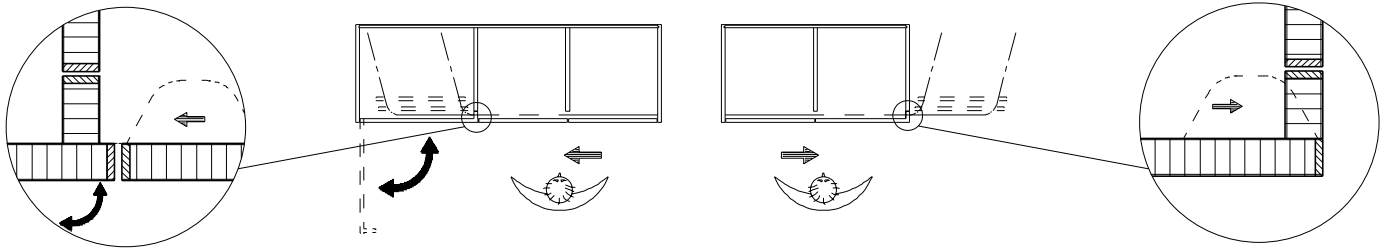
- Maximum panel weight 40 kg (88 lbs.)
- Panel thickness 19–25 mm ($\frac{3}{4}$ "– $\frac{63}{64}$ ")
- Maximum panel height 2600 mm ($8'6\frac{3}{8}"$)
- Panel width 400–900 mm ($1'3\frac{3}{4}"$ – $2'11\frac{7}{16}"$)
- Continuous height adjustment ± 2 mm ($\frac{3}{32}"$)
- Minimum axis radius 2000 mm ($6'6\frac{3}{4}"$) for curved applications
- Centre stop with adjustable friction
- Flush-mounted panels
- Stacking area accommodates up to 7 door panels



Subject to modification. Metric specifications are exact. Inches are approximate.

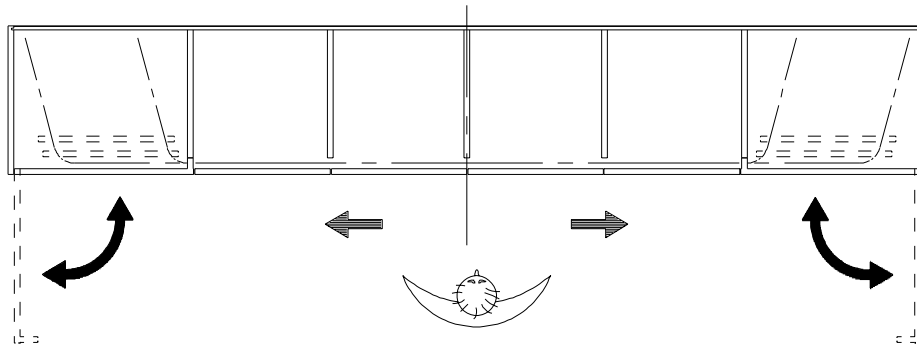
Stacking area options

Hawa Aperto 40 F allows cabinet fronts to be stacked out of sight behind a hinged door, or used as visible design elements while parked.



Plan examples

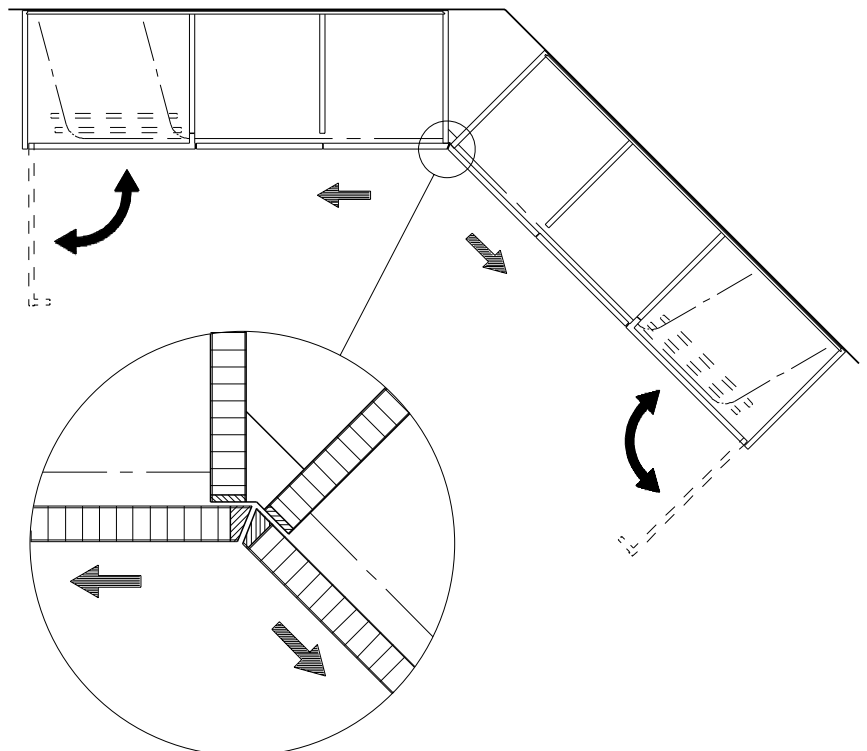
The system accommodates up to 7 panels per stacking area. Individual panel width per installation.



Installations with two stacking areas are considered as two systems.

Convenient operation

Plastic cover caps with buffer rollers provide extensive protection to cabinet fronts as they slide into the stacking area. To avoid damage, we nonetheless recommend individually sliding each panel into the stacking area.

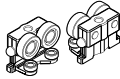




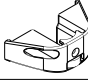




Subject to modification. Metric specifications are exact. Inches are approximate.

Panel set, Hawa Aperto 40 F

| | code |
|-----------------------------------|-------|
| Hawa Aperto 40 F, set for 1 panel | 17797 |

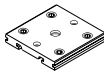
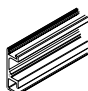

Panel set comprising

| | pieces | code |
|---|--------|-------|
|  Two-wheeled trolley, M8, set of 2 pieces | 1 | 17220 |
|  Fixing cup, screw fitting | 3 | 19880 |
|  Suspension bolts and mounting screws, set for 1 fixing cup | 2 | 19958 |
|  Guide pin and mounting screws, set for 1 fixing cup | 1 | 19959 |
|  Panel surface equalizer, plastic black | 1 | 20047 |
|  Cover cap, plastic black, for fixing cup 19880 | 3 | 17678 |
|  Spacers for panel clearance, 2 mm ($\frac{5}{16}$ ") plastic black, set of 4 pieces | 1 | 17574 |
|  Spacers for panel clearance, 3 mm ($\frac{3}{8}$ ") plastic black, set of 2 pieces | 1 | 17929 |

Track set

| | length of tracks | possible cabinet width incl. stacking area | code |
|--|-----------------------------------|--|-------|
| Top tracks and bottom guide channels incl. top fixing plate for Hawa Aperto 40 F | 2500 mm ($8'2\frac{7}{16}$ ") | 3200 mm ($10'6"$) | 18250 |
| | 3500 mm ($11'5\frac{13}{16}$ ") | 4200 mm ($13'9\frac{3}{8}"$) | 18251 |





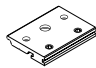

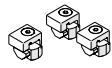



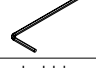
Track sets comprising

| | 18250 | 18251 | code |
|---|--|-------|-------|
|  | Top fixing plate for 2 x single top track 2500 mm ($8'2\frac{7}{16}$ ") set of 6 pieces | 1 | 17806 |
| | Top fixing plate for 2 x single top track 3500 mm ($11'5\frac{13}{16}$ ") set of 8 pieces | 1 | 17807 |
|  | Single top track 2500 mm ($8'2\frac{7}{16}$ ") alu plain anodized | 2 | 17795 |
| | Single top track 3500 mm ($11'5\frac{13}{16}$ ") alu plain anodized | 2 | 17796 |
|  | Set of bottom guide channels, 2500 mm ($8'2\frac{7}{16}$ ") set of 2 pieces, plastic black | 1 | 17066 |

Stacking area set, Hawa Aperto 40 F

| | code |
|--|-------|
| Hawa Aperto 40 F, parking area set, parking parallel to the slide axis | 17798 |

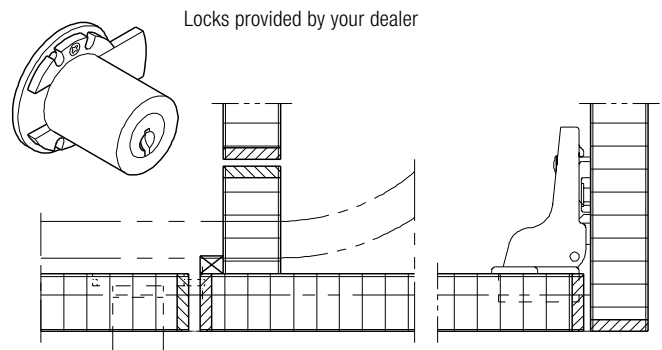
Stacking area set comprising

| | pieces | code |
|--|--------|-------|
|  | 1 | 17289 |
|  | 1 | 17290 |
|  | 1 | 16906 |
|  | 1 | 17128 |
|  | 8 | 17749 |
|  | 1 | 17221 |
|  | 1 | 19165 |
|  | 1 | 17395 |
|  | 1 | 17283 |
|  | 1 | 10793 |
|  | 1 | 19931 |

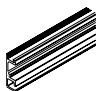
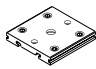
Concealed hinges for pivot doors not included

Sliding panel locking



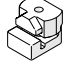
Difficulties in locking sliding panels are a thing of the past with this system: locking the hinged door secures the entire cabinet front.



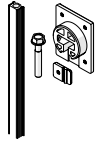
Top tracks to Hawa Aperto 40 F

| | | code |
|---|--|-------|
|  | Single top track, 6000 mm (19'8 ⁷ / ₃₂ " alu plain anodized, (possible cabinet width incl. stacking area: 6700 mm [21'11 ²³ / ₃₂ "]) | 16891 |
|  | Top fixing plate for 2 x single top track, alu, plate distance max. 450 mm (1'5 ²³ / ₃₂ " | 17128 |

Accessories to Hawa Aperto 40 F

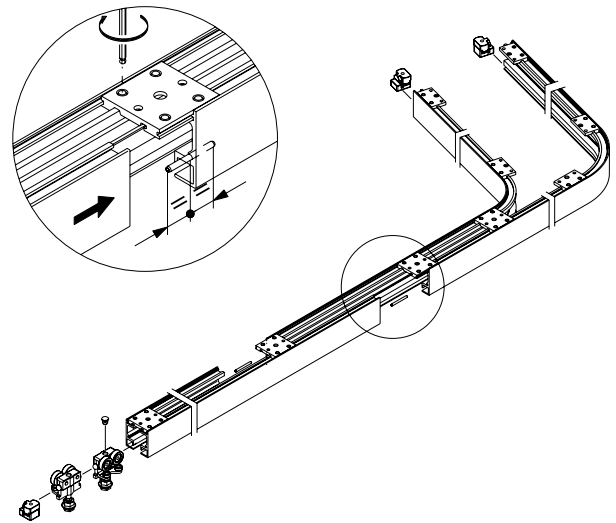
| | | code |
|---|---|-------|
|  | Two-wheeled trolley, M8 | 17927 |
|  | Centre stop with progressively adjustable retention spring catch | 17283 |
|  | Top track end stops for single top track | 19542 |

Aligner – Set for 1 door

| | | code |
|--|---|-------|
|  | Aligner for stabilisation of wooden sliding doors, set for 1 door | 18705 |
| <ul style="list-style-type: none"> • for door thicknesses of 16–28 mm ($\frac{5}{8}$"–$1\frac{1}{8}$" • for door heights up to 2600 mm (8'6 ³/₈" (not suitable for solid hardwood) | | |

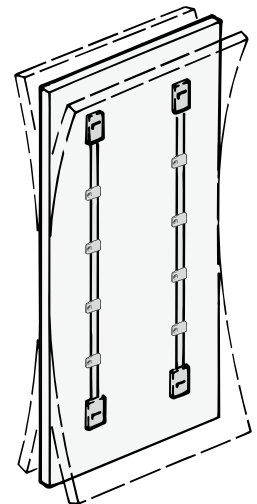
Sliding comfort

Easy sliding action thanks to forced guiding system, plastic rollers and anodised aluminium top tracks for extremely light and quiet running.

**Stabilising of sliding panel**

The aligner set facilitates straightforward stabilisation and alignment of the sliding panels. We recommend using two profile strips per panel, which can be shortened if necessary.

Detail's for aligner: → page 52

**Order specifications**

- Quantity of panel sets
- Quantity of stacking area sets
- Quantity and length of track set

Custom installations

Please contact Hawa for special installations with more than 7 panels, curved top tracks, or an integral change of track direction.

Planning/installation

For planning and installation purposes, please use the installation drawing code 17808. (→ www.hawa.ch → Hawa Productfinder)