




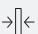


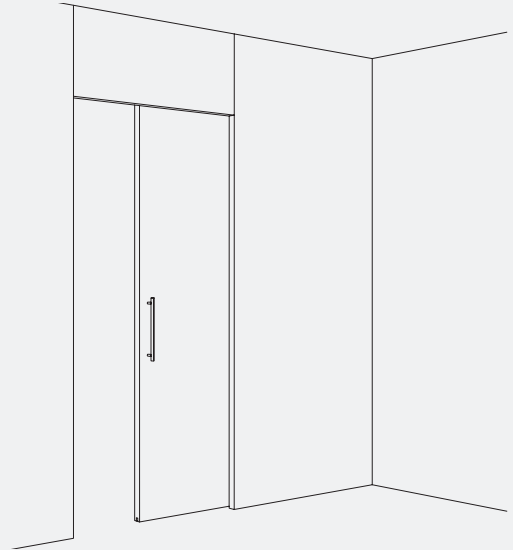
Fitting for top-running wooden doors up to 120 kg (264 lbs.), with surface mounted running track. Optionally with soft and self closing mechanism. Wall or ceiling mounting.

Product highlights

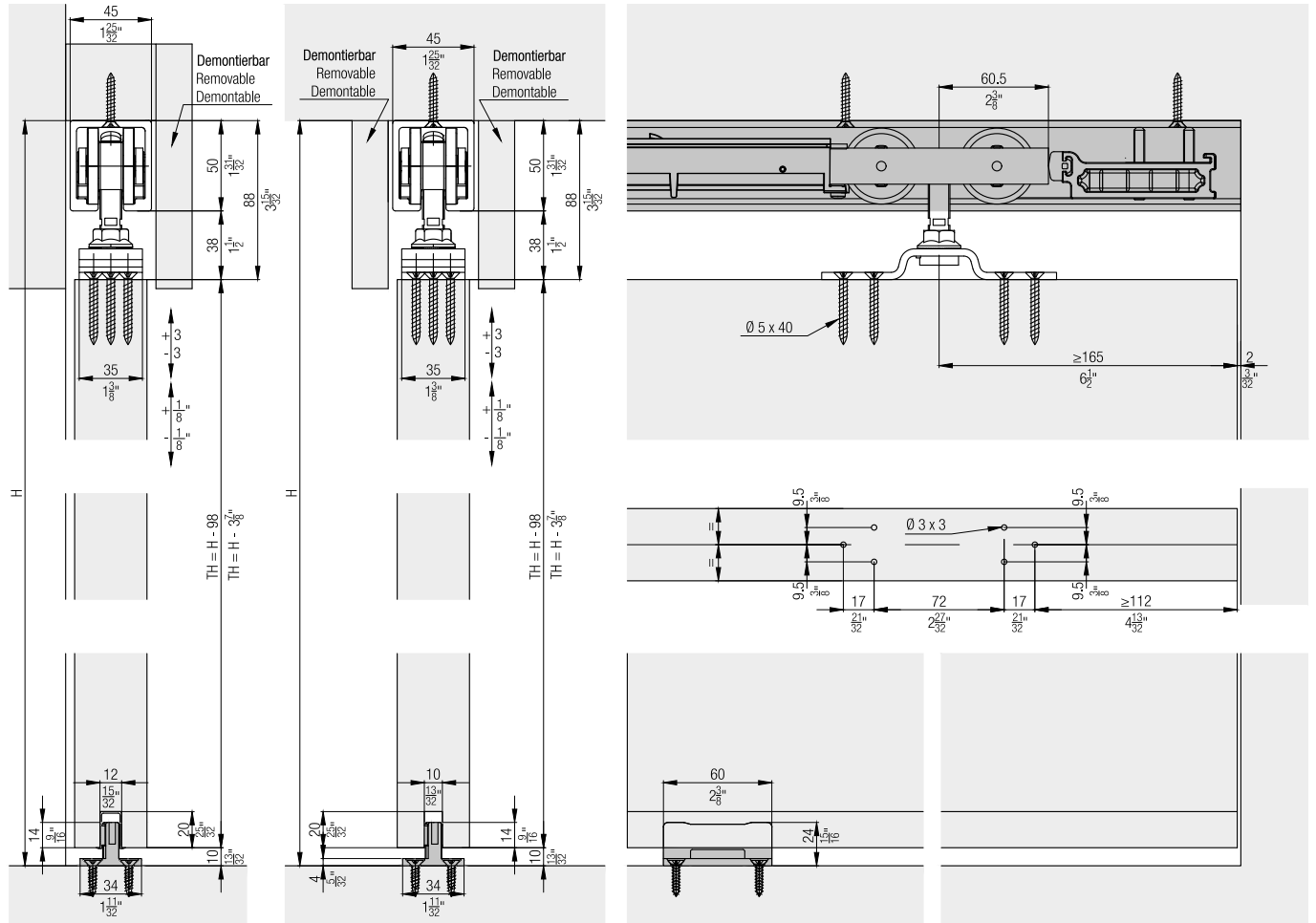
-  **Comfort** High quality, long-lasting friction bearing for quiet, smooth running, even with heavier weights
-  **Flexibility** Steel suspension bracket for screw fixing or welding

Technical specifications

-  Max. 120 kg (264 lbs.)
-  Max. 4000 mm (13'1 15/32")
-  Max. 3000 mm (9'10 1/8")
-  35–80 mm (1 3/8" to 3 5/32")



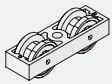
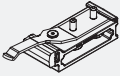
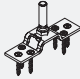
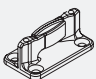


Installation examples




Set for 1 wooden door up to 120 kg (264 lbs.)

	No.
Hawa Junior 120 A, for 1 door	25907
Hawa Junior 120 A, with 2 track stoppers, for 1 door	26041

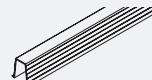
Set consisting of:

	25907	26041	No.
 Two-wheeled running gear, M12, plastic wheels	2	2	25900
 Track stopper, with adjustable retention spring	1	2	14858
 Top fixing plate, with suspension bolt M12 and fixing screws	2	2	14859
 Bottom guide, zero tolerance, groove width 10 mm (13/32"), plastic black	1	1	14427
 Screw-on rubber door stop	1	1	10629
 Suspension assembly locking wrench	1	1	14861

Running tracks


	mm (inch)	No.
	2,500 (8' 2 7/16")	14866
	3,000 (9' 10 1/8")	14867
	4,000 (13' 1 15/32")	14868
	6,000 (19' 8 7/32")	14869
	cut to size	14871

Guide tracks




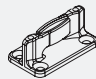
	mm (inch)	No.
 Guide track, for groove mounting, plastic, 10-piece set	1,300 (4' 3 3/16")	14540

Soft close SoftMove 120

For soft closing in opening and closing direction order 2 sets.

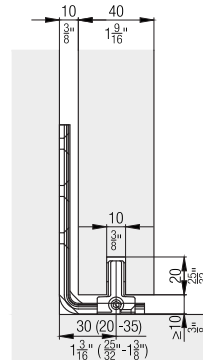
	No.
 Soft close SoftMove 120	25988

Accessories

	No.
 Bottom door stopper, with centering, chrome-plated, matt	20773
 Bottom door stopper, with centering, stainless steel look	21473
 Hawa SoundEX for Hawa Junior 120, includes fixing parts for running track	19590
 Bottom guide, rattle proof, groove width 10 mm (13/32"), plastic, black, 10-piece set	25958

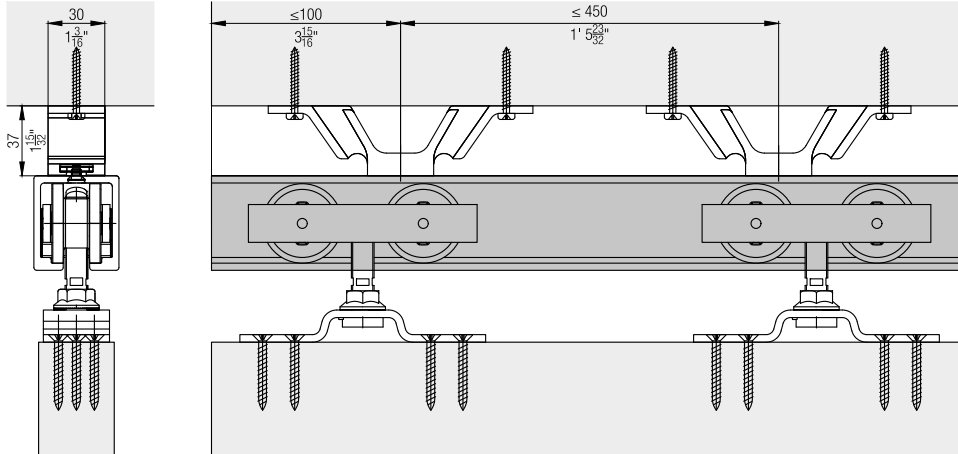
Hawa Confort 120

The convenient solution to an old problem. Inadequate fastening options in brittle sub-floors or in the area of floor heating. This bottom guide is mounted on the wall.

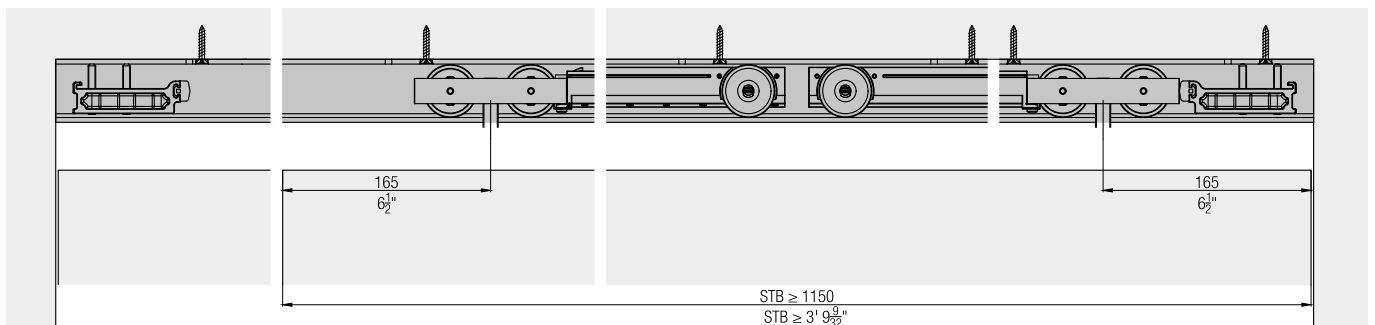
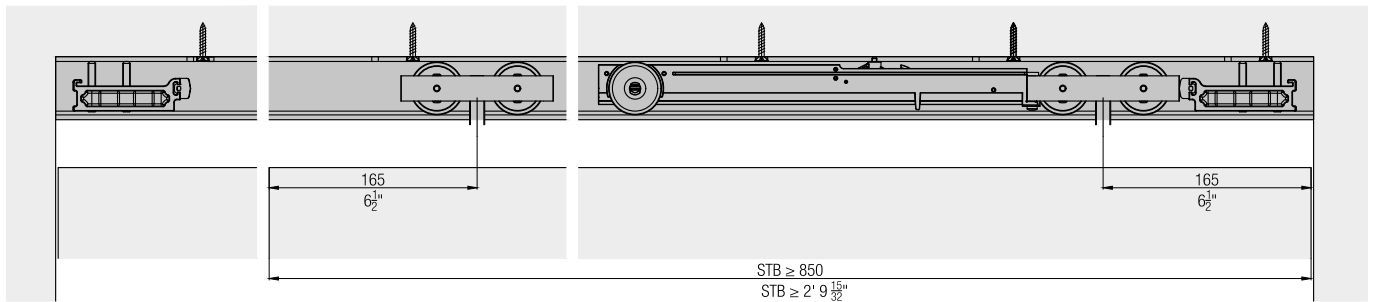


Hawa SoundEx

Contains the transmission of structure-borne noise from a sliding system to the building.



SoftMove 120 soft closing mechanism



Accessories

- Hawa Junior bottom guides for wall mounting from page 508
- Lock solutions from page 511
- General accessories from page 518

Planning/execution

Further information about the product can be found on www.hawa.com.