







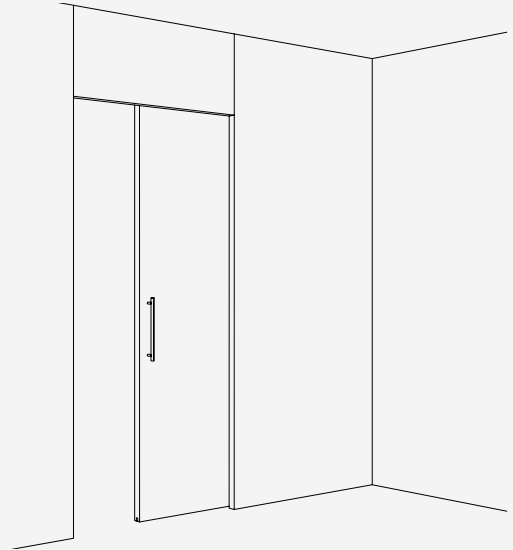
Fitting for top-running wooden doors up to 80 kg (176 lbs.), with surface mounted running track. Optionally with soft and self closing mechanism. Wall or ceiling mounting.

Product highlights

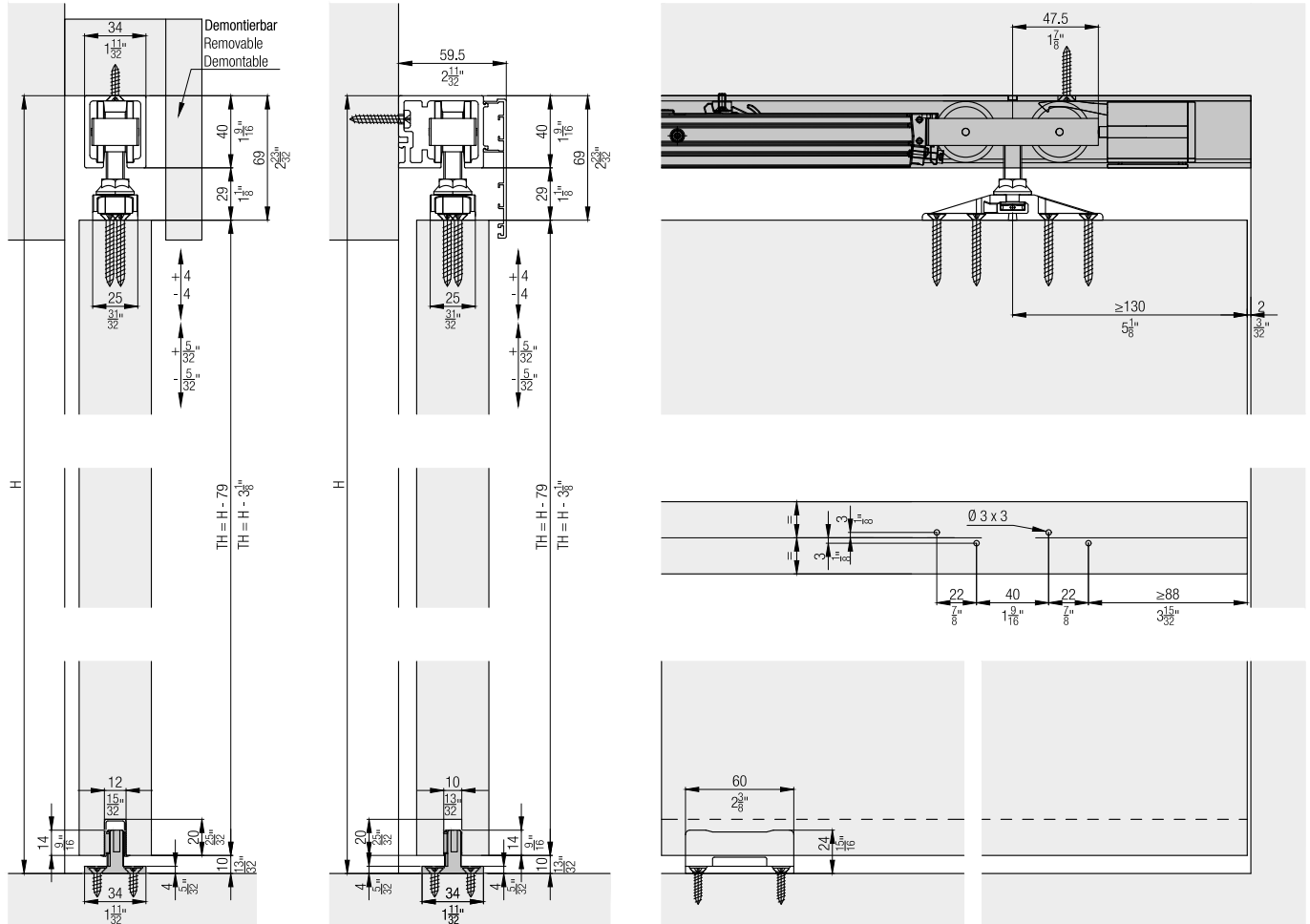
-  **Productivity** The door can be installed from the front and also slid in from the side
-  **Flexibility** Running tracks for wall and ceiling mounting with integrated clip-on system

Technical specifications

-  Max. 80 kg (176 lbs.)
-  Max. 4000 mm (13'1 15/32")
-  Max. 3000 mm (9'10 1/8")
-  35–80 mm (1 3/8" to 3 5/32")



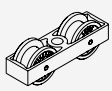
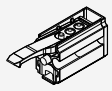
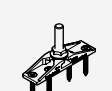
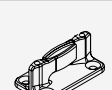

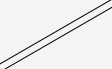
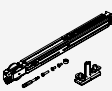
Installation examples



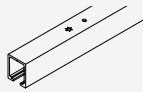


Set for 1 wooden door up to 80 kg (176 lbs.)

| | No. |
|---|-------|
| Hawa Junior 80 Z, with 1 track stopper, for 1 door | 11705 |
| Hawa Junior 80 Z, with 1 soft close SoftMove 80, for 1 door | 23087 |
| Hawa Junior 80 Z, with 2 soft close SoftMove 80, for 1 door | 23088 |
| Hawa Junior 80 Z, with 2 track stoppers, for 1 door | 26040 |

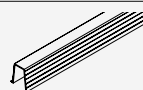
Set consisting of:

| | | 11705 | 23087 | 23088 | 26040 | No. |
|---|---|-------|-------|-------|-------|-------|
|  | Running gear, 2-wheeled, M10, plastic wheels | 2 | 2 | 2 | 2 | 10407 |
|  | Stopper Hawa Junior 80/100, with adjustable retention spring | 1 | 2 | 2 | 2 | 30138 |
|  | Two-way suspension flange, with screw M10 and fixing screws, steel, zinc-plated | 2 | 2 | 2 | 2 | 10489 |
|  | Bottom guide, zero tolerance, groove width 10 mm (13/32"), plastic black | 1 | 1 | 1 | 1 | 14427 |
|  | Screw-on rubber door stop | 1 | 1 | 1 | 1 | 10629 |
|  | Vertical adjustment pin | 1 | 1 | 1 | 1 | 10795 |
|  | Soft closing mechanism SoftMove 80 | | 1 | 2 | | 22444 |

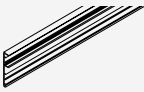
Running tracks

| | | mm (inch) | No. |
|---|--|-----------------------|-------|
|  | Running track, aluminum, anodized, pre-drilled | 1,400 (4' 7 1/8 ") | 10189 |
| | | 1,600 (5' 3 ") | 10190 |
| | | 1,800 (5' 10 7/8 ") | 10191 |
| | | 2,000 (6' 6 3/4 ") | 10192 |
| | | 2,200 (7' 2 5/8 ") | 10193 |
| | | 2,500 (8' 2 7/16 ") | 10194 |
| | | 3,000 (9' 10 1/8 ") | 18532 |
| | | 4,000 (13' 1 15/32 ") | 18533 |
| | | 6,000 (19' 8 7/32 ") | 10186 |
| | | cut to size | 10188 |
|  | Running track, wall mounting, aluminum, anodized, pre-drilled | 2,000 (6' 6 3/4 ") | 27673 |
| | | 2,500 (8' 2 7/16 ") | 30323 |
| | | 3,000 (9' 10 1/8 ") | 27672 |
| | | 4,000 (13' 1 15/32 ") | 30324 |
| | | 6,000 (19' 8 7/32 ") | 27671 |
| | | cut to size | 27695 |
| | | cut to size | 27695 |
|  | Running track, ceiling mounting, aluminum, anodized, pre-drilled | 2,000 (6' 6 3/4 ") | 27677 |
| | | 2,500 (8' 2 7/16 ") | 30320 |
| | | 3,000 (9' 10 1/8 ") | 27676 |
| | | 4,000 (13' 1 15/32 ") | 30321 |
| | | 6,000 (19' 8 7/32 ") | 27675 |
| | | cut to size | 27696 |
| | | cut to size | 27696 |

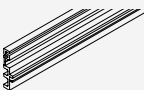
Guide tracks

| | | mm (inch) | No. |
|---|---|---------------------|-------|
|  | Guide track, for groove mounting, plastic, 10-piece set | 1,300 (4' 3 3/16 ") | 14540 |

Panels

| | | mm (inch) | No. |
|---|--|-------------------------|-------|
|  | Clip-on panel to running track, aluminum, anodized | 2,000 (6' 6 3/4 ") | 27685 |
| | | 2,500 (8' 2 7/16") | 30331 |
| | | 3,000 (9' 10 1/8 ") | 27684 |
| | | 4,000 (13' 1 15/32") | 30332 |
| | | 6,000 (19' 8 7/32") | 27683 |
| | | cut to size | 27697 |





Spacer tracks

| | | mm (inch) | No. |
|---|--|-----------------------|--------------|
|  | Spacer track, for wall mounting, plastic, gray | 2,000 (6' 6 3/4 ") | 057.3054.200 |
| | | cut to size | 057.3054.990 |

Panel end component set, 59 mm (2 5/16"), aluminum

| | | No. |
|---|--|-------|
| Panel end component set, left, 59 mm (2 5/16"), anodized | | 30141 |
| Panel end component set, right, 59 mm (2 5/16"), anodized | | 30142 |





Set consisting of:

| | | 30141 | 30142 | No. |
|---|---|-------|-------|--------------|
|  | Panel end component Z, 59 mm (2 5/16"), left, aluminum, anodized | 1 | | 30038 |
|  | Bracker connector, steel, zinc-plated | 2 | 2 | 057.3051.101 |
|  | Screw, M4x2.6 mm (5/32"x 1/8"), steel, zinc-plated | 4 | 4 | 011.0101.171 |
|  | Panel end component Z, 59 mm (2 5/16"), right, aluminum, anodized | | 1 | 30040 |

Panel end component set, 66 mm (2 19/32"), aluminum

| | | No. |
|--|--|-------|
| Panel end component set, left, 66 mm (2 19/32"), anodized | | 30143 |
| Panel end component set, right, 66 mm (2 19/32"), anodized | | 30144 |





Set consisting of:

| | | 30143 | 30144 | No. |
|--|--|-------|-------|--------------|
|  | Panel end component Z, 66 mm (2 19/32"), left, aluminum, anodized | 1 | | 30037 |
|  | Bracker connector, steel, zinc-plated | 2 | 2 | 057.3051.101 |
|  | Screw, M4x2.6 mm (5/32"x 1/8"), steel, zinc-plated | 4 | 4 | 011.0101.171 |
|  | Panel end component Z, 66 mm (2 19/32"), right, aluminum, anodized | | 1 | 30039 |


Panel end component set, 79 mm (3 1/8"), can be shortened, aluminum, for running track 30613, 30614, 30615, 30616, 30666, 30667

| | | No. |
|--|--|-------|
| Panel end component set, left, 79 mm (3 1/8"), anodized | | 30591 |
| Panel end component set, right, 79 mm (3 1/8"), anodized | | 30592 |

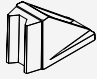
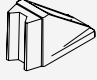
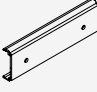

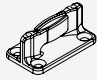
Set consisting of:

| | | 30591 | 30592 | No. |
|---|--|-------|-------|--------------|
|  | Panel end component Z, 79 mm (3 1/8"), left, aluminum, anodized | 1 | | 30588 |
|  | Bracker connector, steel, zinc-plated | 2 | 2 | 057.3051.101 |
|  | Screw, M4x2.6 mm (5/32"x 1/8"), steel, zinc-plated | 4 | 4 | 011.0101.171 |
|  | Panel end component Z, 79 mm (3 1/8"), right, aluminum, anodized | | 1 | 30589 |

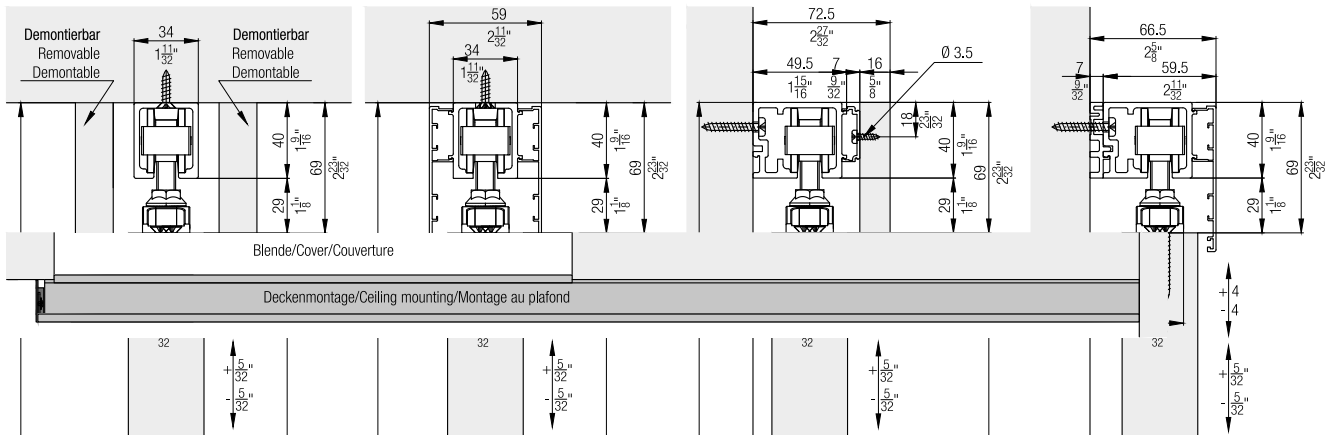
Soft close SoftMove 80
 For soft closing in opening and closing direction
 order 2 sets.

| | | No. |
|---|---------------------------------------|-------|
|  | Soft closing mechanism SoftMove 80 | 22444 |

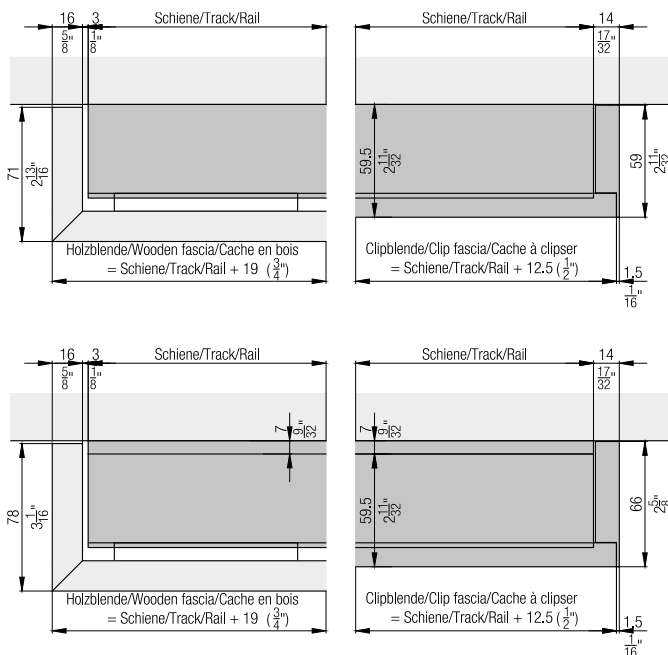
Accessories

| | | No. |
|---|---|--------------|
|  | Bottom door stopper, with centering, stainless steel look | 21473 |
|  | Bottom door stopper, with centering, chrome-plated, matt | 20773 |
|  | Clip component for wooden and aluminum panel, every 500 mm (1'7 11/16"), aluminium, pre-drilled | 057.3117.001 |
|  | Hawa SoundEX for Hawa Junior 80, includes fixing parts for running track | 19589 |
|  | Bottom guide, rattle proof, groove width 10 mm (13/32"), plastic, black, 10-piece set | 25958 |

Further installation examples

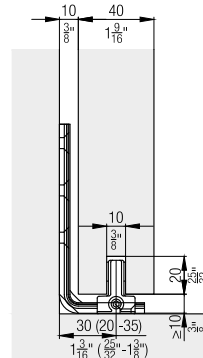


Calculations of clip-on panels



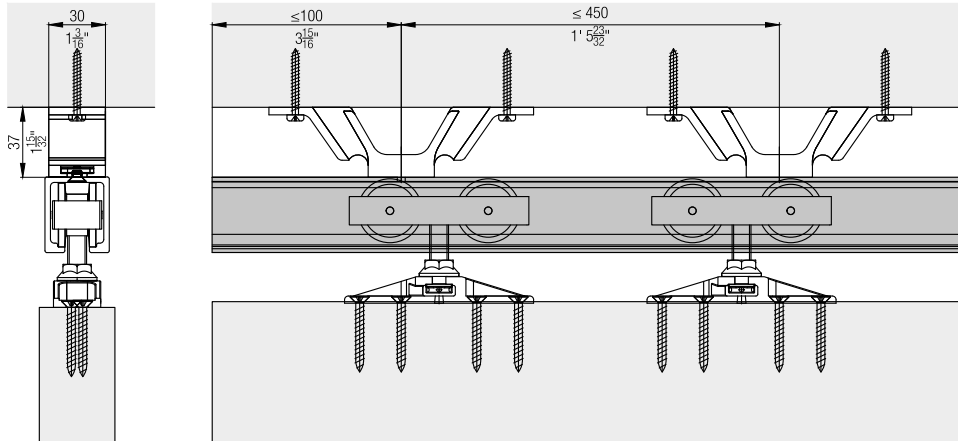
Hawa Confort 120

The convenient solution to an old problem. Inadequate fastening options in brittle sub-floors or in the area of floor heating. This bottom guide is mounted on the wall.



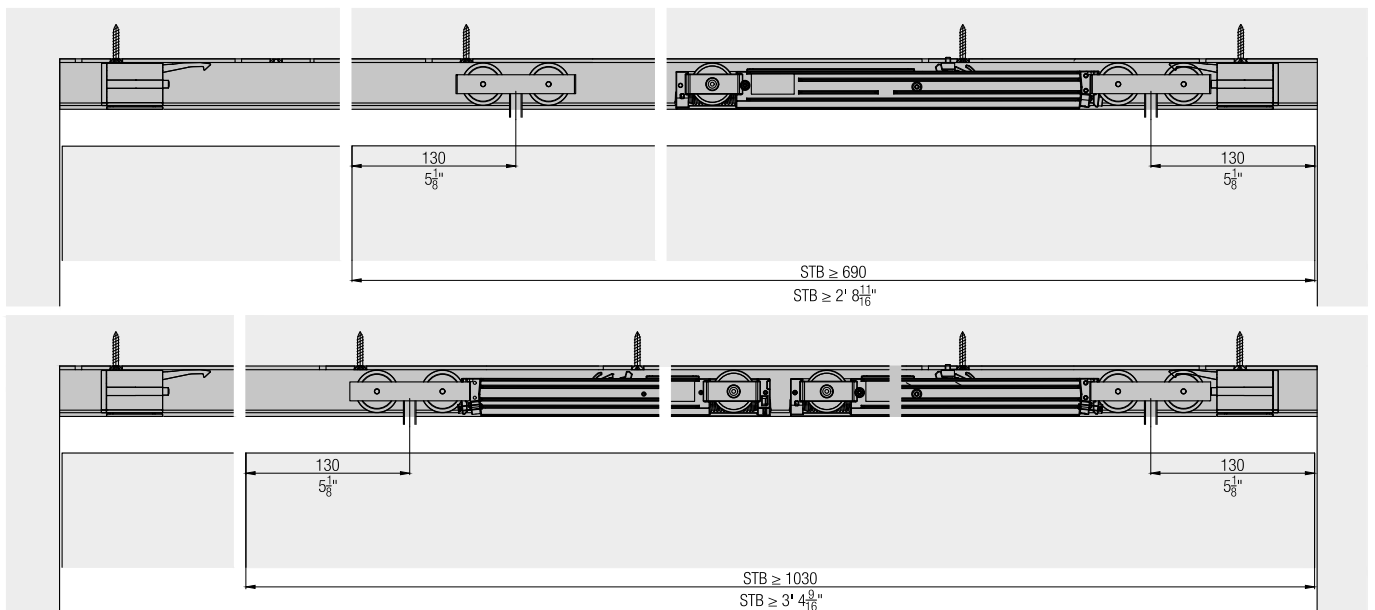
Hawa SoundEx

Contains the transmission of structure-borne noise from a sliding system to the building.



SoftMove 80 soft closing mechanism

Completely integrated into the running track, the SoftMove decelerates sliding doors and draws them into their final position.



Accessories

- Hawa Junior bottom guides for wall mounting from page 508
- Lock solutions from page 511
- General accessories from page 518

Planning/execution

Further information about the product can be found on www.hawa.com.