

Transport system for loads up to 40 kg (88 lbs.) per trolley.

Description

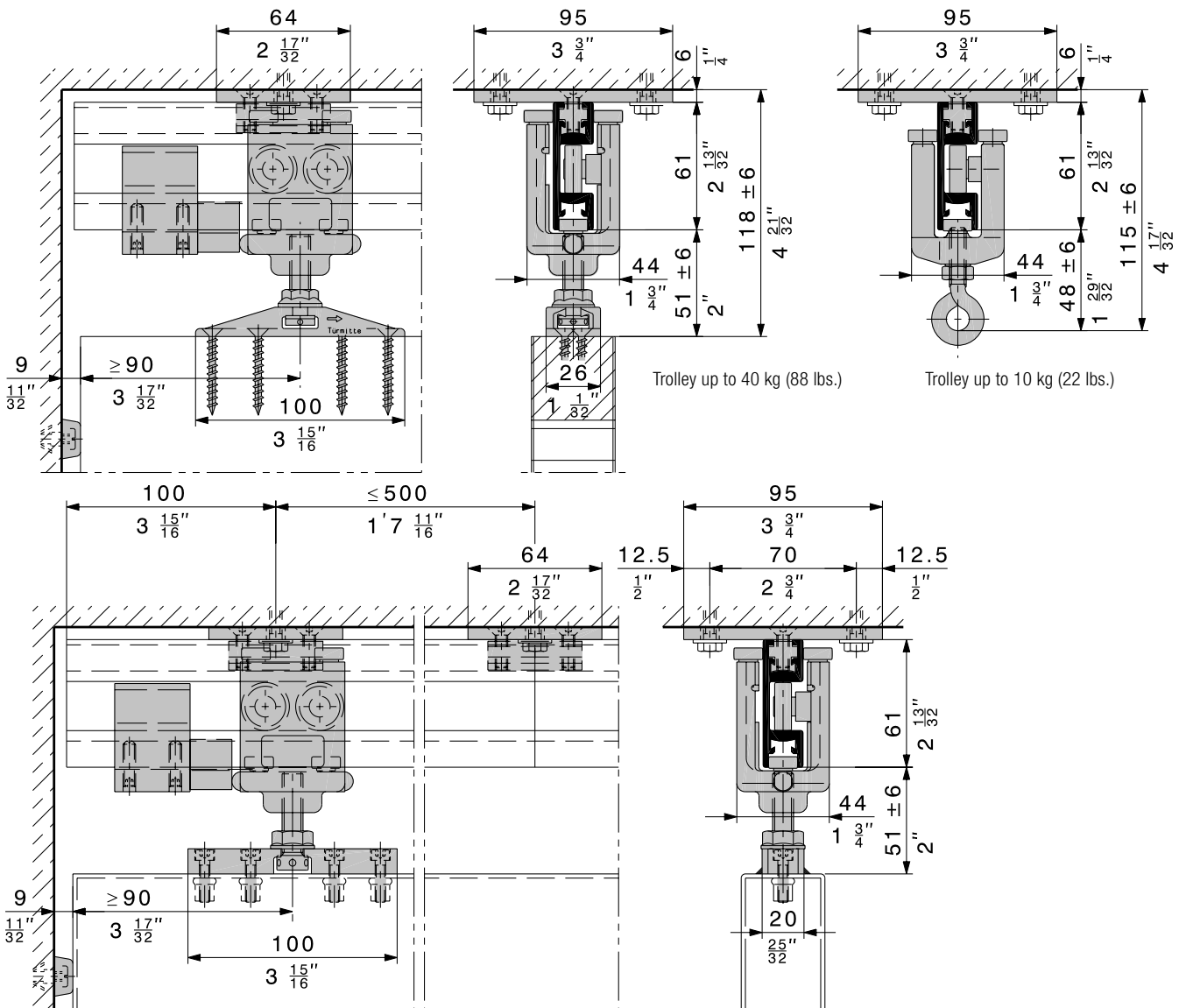
The Hawa Varioflex 40 TS is a hardware system with outstanding cornering properties. The plug-in track system with straight sections and curved rails of 15, 30, 45, 60, 75 and 90 degrees permits complete freedom with regard to construction. Rail joints are linked simply and precisely by means of coupling elements on both sides.

Applications

Map boards, projection walls, work stations with electrical cables and compressed air hoses. Storage and display of articles in shops, snowboards e.g.

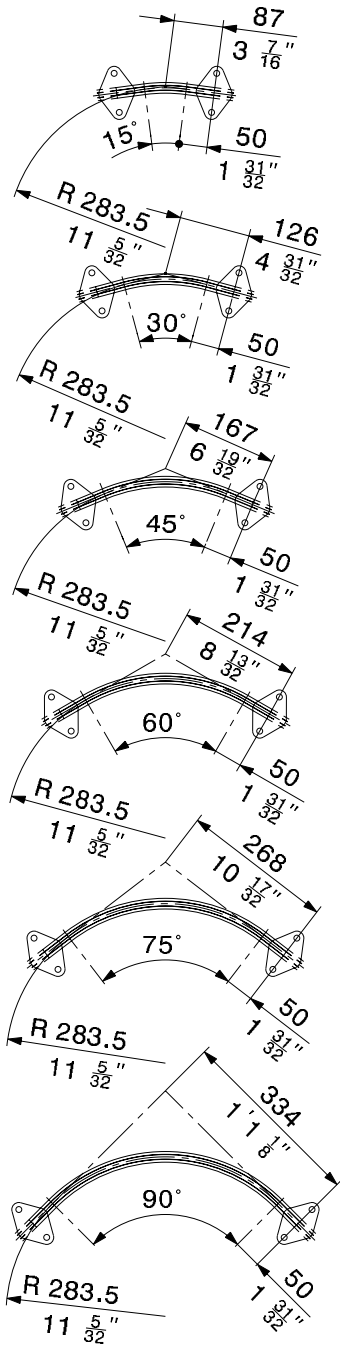
Features of the Hawa Varioflex 40 TS

- Modular system
- Trolley for loads up to 40 kg (88 lbs.) with 2 suspension wheels and 6 guide rollers
- Trolley for loads up to 10 kg (22 lbs.) with 2 suspension wheels and 4 guide rollers
- Outstandingly smooth cornering



Subject to modification. Metric specifications are exact. Inches are approximate.

Curve running tracks



Installation

When assembling the running track, a top fixing plate must be attached every 500 mm (1'7 11/16")

Order specifications

- Length of running track
- Quantity and type of curve running track
- Quantity of top-fixing plate
- Quantity of coupler to running track
- Quantity of running track cover cap sets
- Quantity and type of components

Running tracks

		code
	Running track, alu plain anodized	6000 mm (19'8 3/8") 13975
		cut to size 14345
		15° 15125
		30° 15127
		45° 15129
		60° 15131
		75° 15133
		90° 14341
		15° 15126
		30° 15128
		45° 15130
		60° 15132
		75° 15134
		90° 15113
	Top-fixing plate, dull chromium-plated steel (for straight and standard curves)	14463
	Top-fixing plate, dull chromium-plated steel	14468
	Coupler to running track, galvanized steel	17232
	Set of running track cover caps, plastic grey, left/right	14442

Components

		code
	Trolley with 2 plastic-tyred suspension wheels and 6 guide rollers, M10 (load per trolley 40 kg [88 lbs.])	14337
	Trolley with 2 plastic-tyred suspension wheels and 4 guide rollers, M8 (load per trolley 10 kg [22 lbs.])	15137
	Suspension plate with hanger bolt M10 without fixing screws, steel galvanized (steel constructions)	14484
	Two-way suspension plate, with hanger bolt M10 and fixing screws (wood constructions)	10489
	Eye bolt with nut, galvanized steel, M10 x 40 mm (1 1/2")	15174
	Eye bolt with nut, galvanized steel, M8 x 30 mm (1 1/8")	15173
	Bumper, alu plain anodized	14368
	Bumper door stop, to running track	21010
	Screw-on rubber door stop	10629