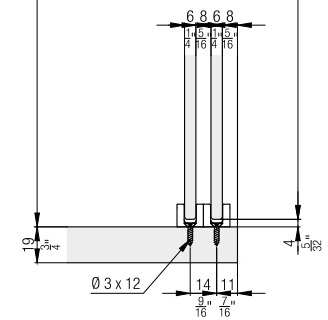
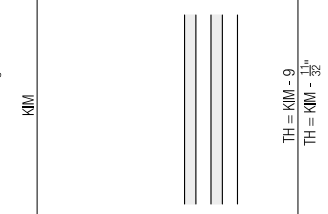
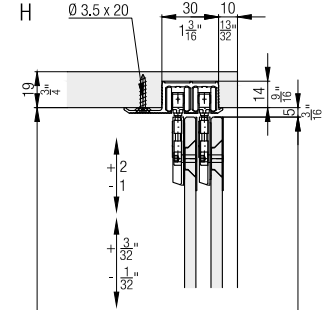


TH = KIM - 22
TH = KIM - 7^o



TH = KIM - 9
TH = KIM - 3^o

