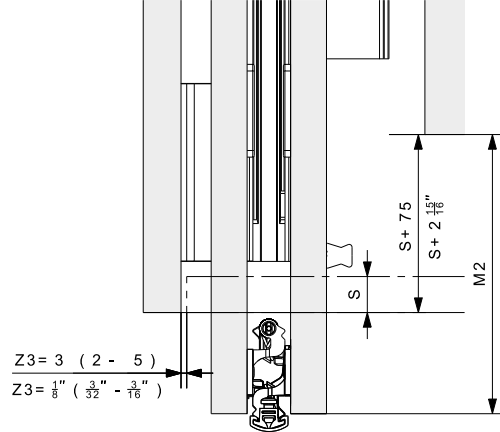


$$\frac{Z3 = 3 (2 - 5)}{Z3 = \frac{1}{8} ( \frac{3}{32} - \frac{3}{16} )}$$



$$\frac{Z3 = 3 (2 - 5)}{Z3 = \frac{1}{8} ( \frac{3}{32} - \frac{3}{16} )}$$