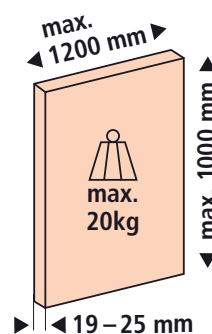
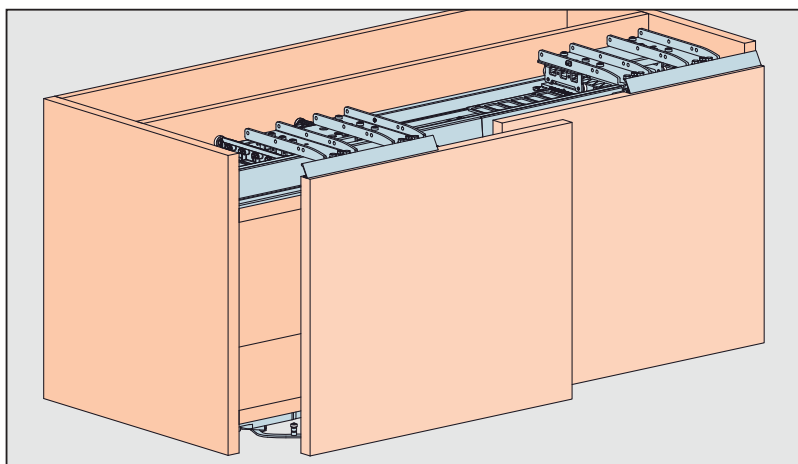


# Montageanleitung Mounting instructions Instructions de montage



## Garnituren/Sets/Guarniture

|                             |                           |              |                           |              |
|-----------------------------|---------------------------|--------------|---------------------------|--------------|
| 2<br>Türen<br>Doors<br>Ante | Typ S1 = KAM 1200-1399 mm | 053.3390.071 | Typ S4 = KAM 1800-1999 mm | 053.3390.074 |
|                             | Typ S2 = KAM 1400-1599 mm | 053.3390.072 | Typ S5 = KAM 2000-2199 mm | 053.3390.075 |
|                             | Typ S3 = KAM 1600-1799 mm | 053.3390.073 | Typ S6 = KAM 2200-2400 mm | 053.3390.076 |

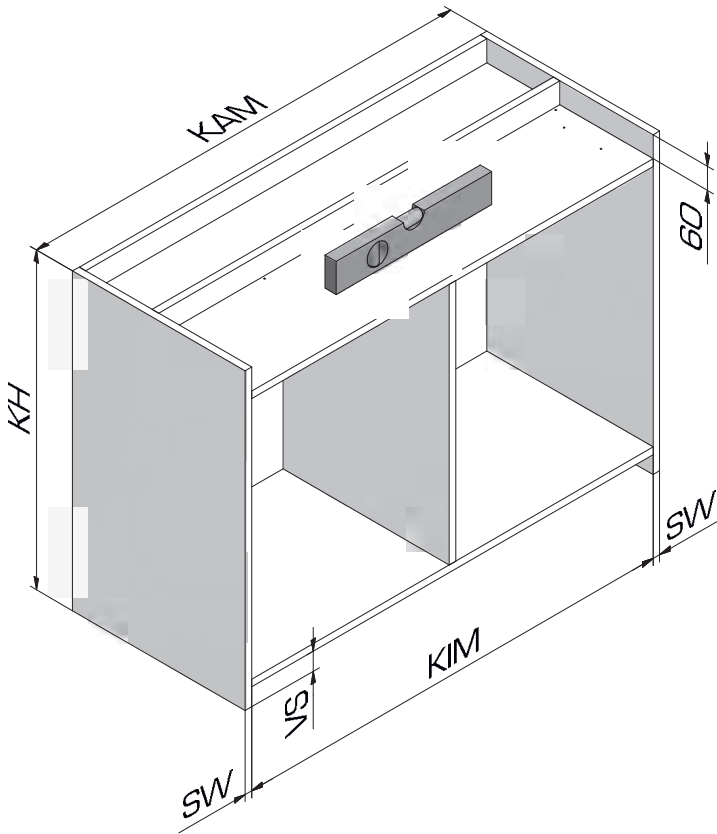
|  |  |  |  |  |     |  |                |
|--|--|--|--|--|-----|--|----------------|
|  |  |  |  |  | 1 x |  | 23.5 x 14.5 mm |
|  |  |  |  |  | 2 x |  | 16.5 x 23.5 mm |
|  |  |  |  |  | 1 x |  | 58.5 x 15.5 mm |

## Abkürzungen/Abbreviations/Abbreviazioni

|    |                          |                         |                         |
|----|--------------------------|-------------------------|-------------------------|
| TH | Türhöhe                  | Door height             | Altezza anta            |
| TB | Türbreite                | Door width              | Larghezza anta          |
| W  | Position Führung         | Guide position          | Posizione guida         |
| HF | Höhe Führung             | Height of guide         | Altezza guida           |
| X  | Bohrung Frontbefestigung | Drill hole front fixing | Foro fissaggio frontale |
| KP | Position Steuerkurve     | Position radial cam     | Posizione camma         |

## Einbaugrößen/Installation dimensions/ Dimensioni di montaggio

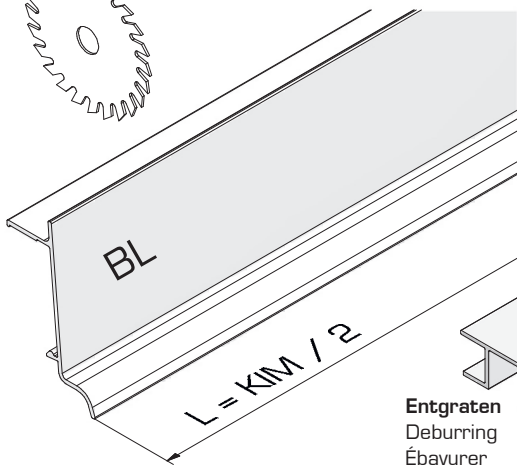
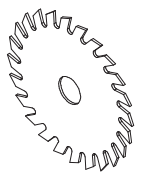
|        |                    | E   | D   |
|--------|--------------------|-----|-----|
|        |                    | mm  | mm  |
| Typ S1 | = KAM 1200-1399 mm | 231 | 97  |
| Typ S2 | = KAM 1400-1599 mm | 281 | 147 |
| Typ S3 | = KAM 1600-1799 mm | 331 | 197 |
| Typ S4 | = KAM 1800-1999 mm | 381 | 247 |
| Typ S5 | = KAM 2000-2199 mm | 431 | 297 |
| Typ S6 | = KAM 2200-2400 mm | 481 | 347 |



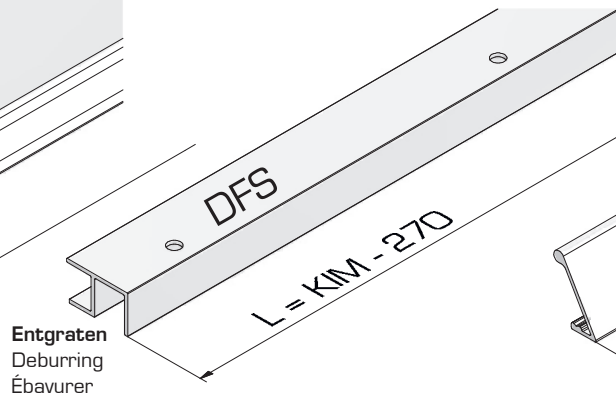
**Werkzeug | Tool | Outil**

- ⊕ PZ: 2
- ⊙ SW: 4
- ⊛ TX:
- ⊖ No.:
- ⊗ SW: 10

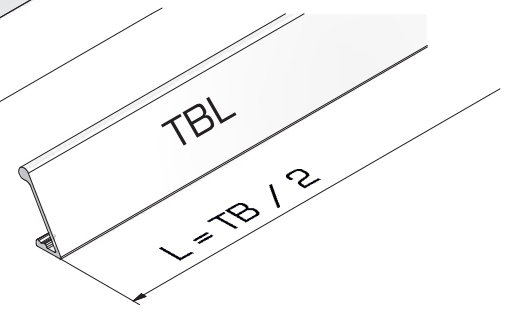
**A**



**2x** 053.3419

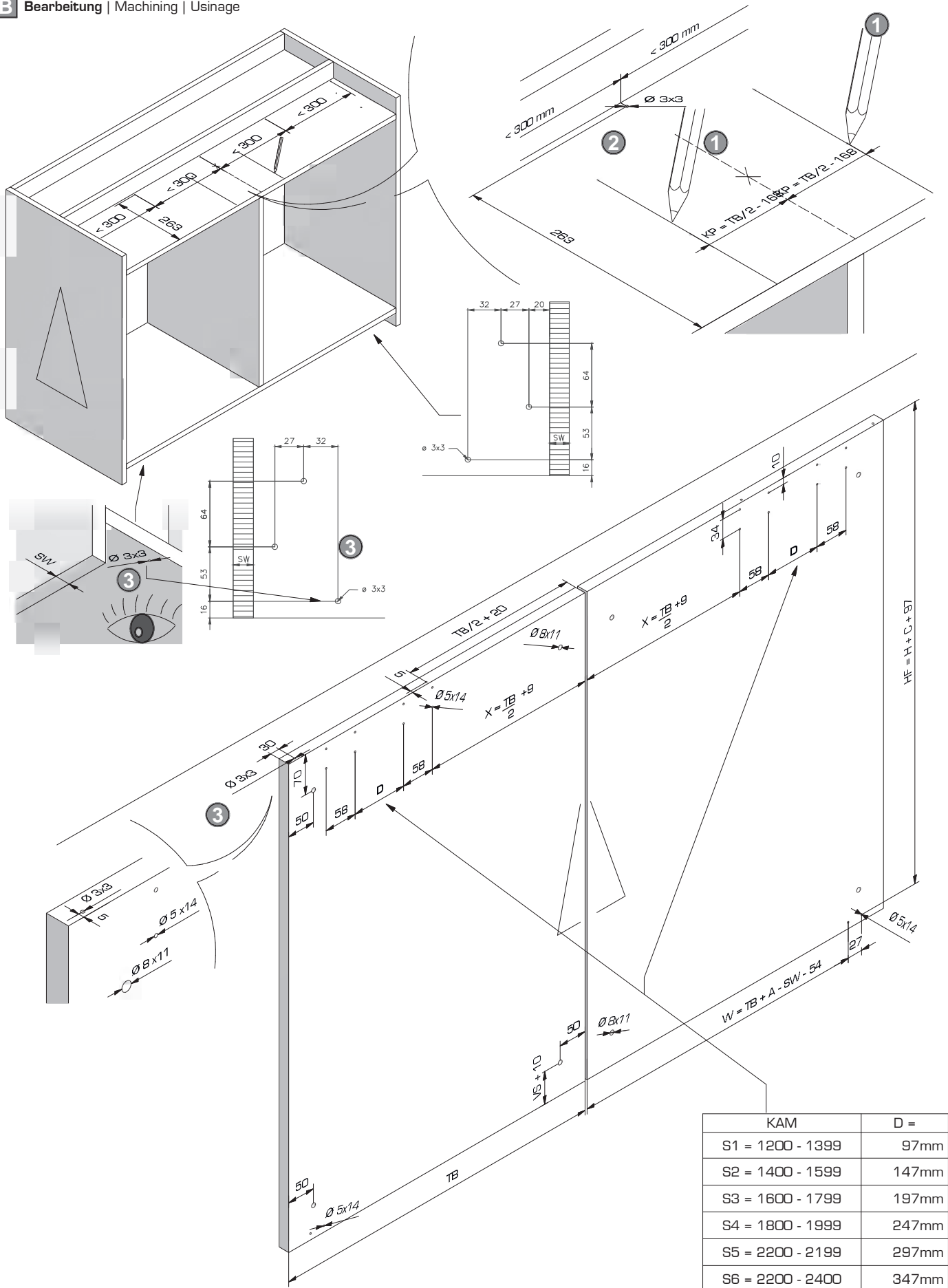


**1x** 053.3379



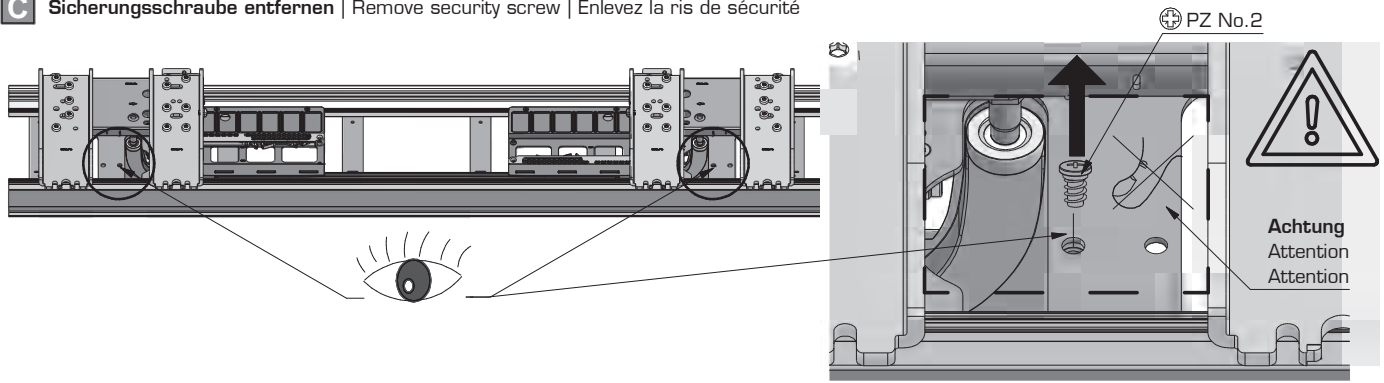
**2x** 053.3381

B Bearbeitung | Machining | Usinage

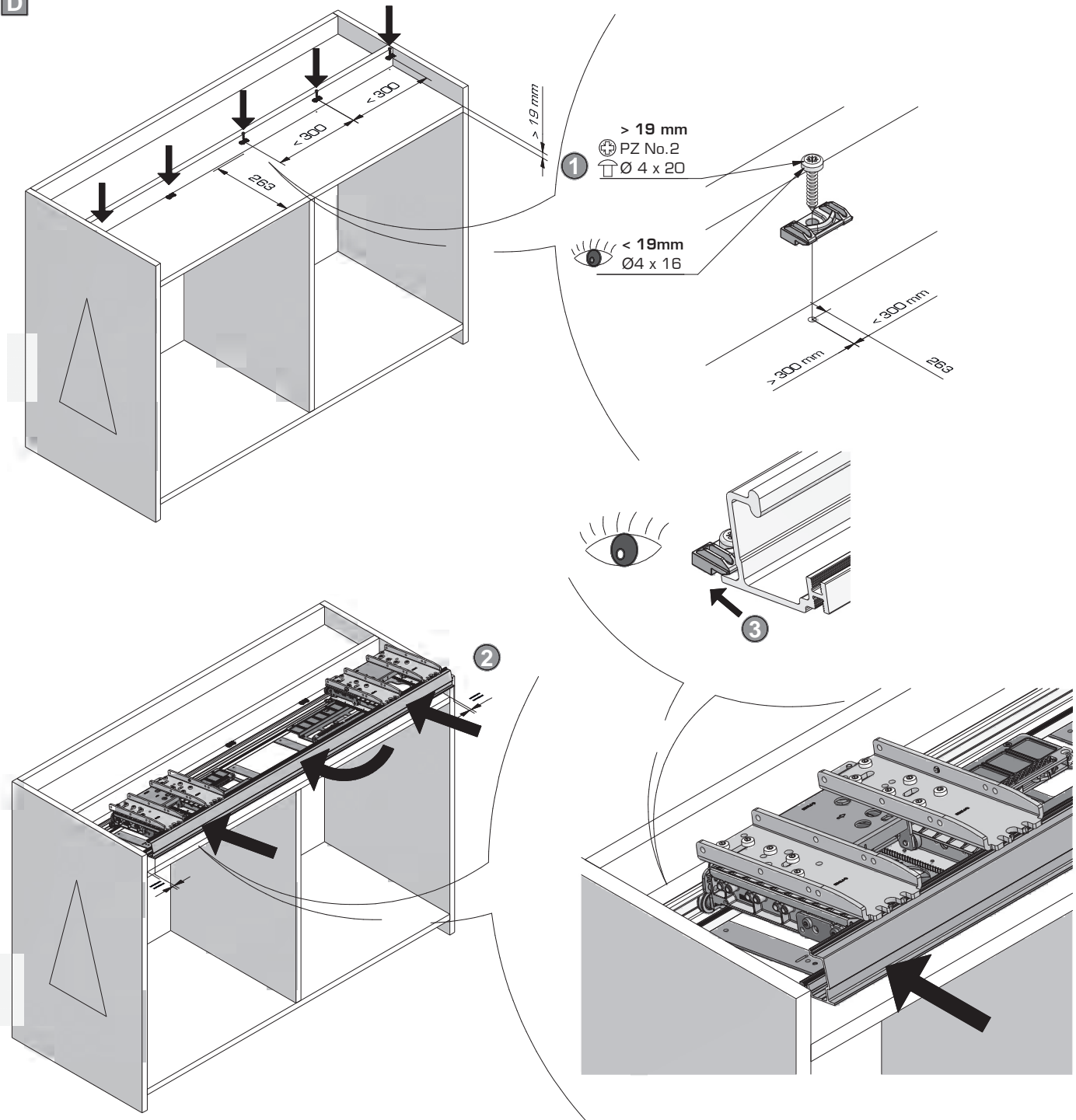


| KAM              | D =   |
|------------------|-------|
| S1 = 1200 - 1399 | 97mm  |
| S2 = 1400 - 1599 | 147mm |
| S3 = 1600 - 1799 | 197mm |
| S4 = 1800 - 1999 | 247mm |
| S5 = 2200 - 2199 | 297mm |
| S6 = 2200 - 2400 | 347mm |

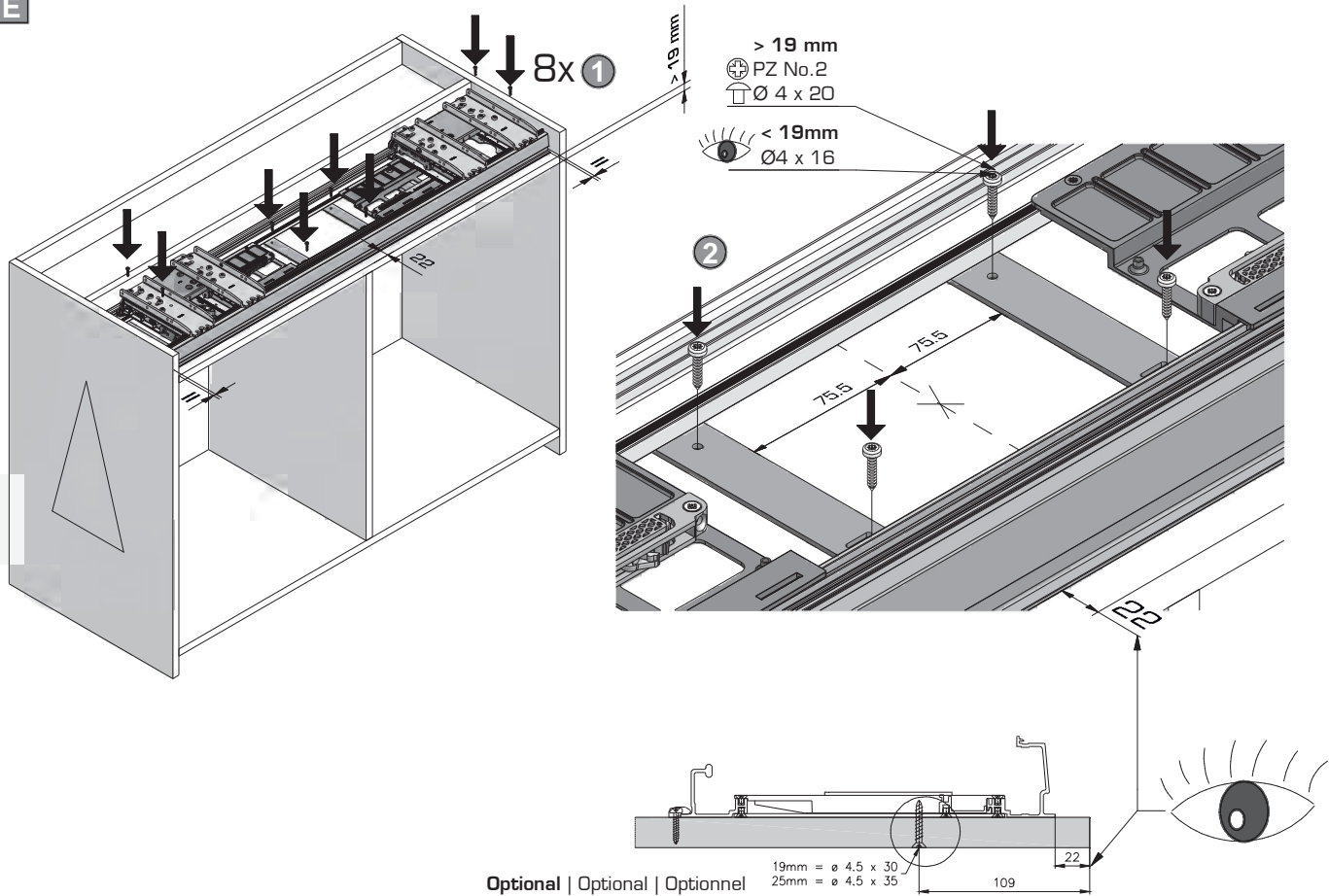
**C** Sicherungsschraube entfernen | Remove security screw | Enlevez la vis de sécurité



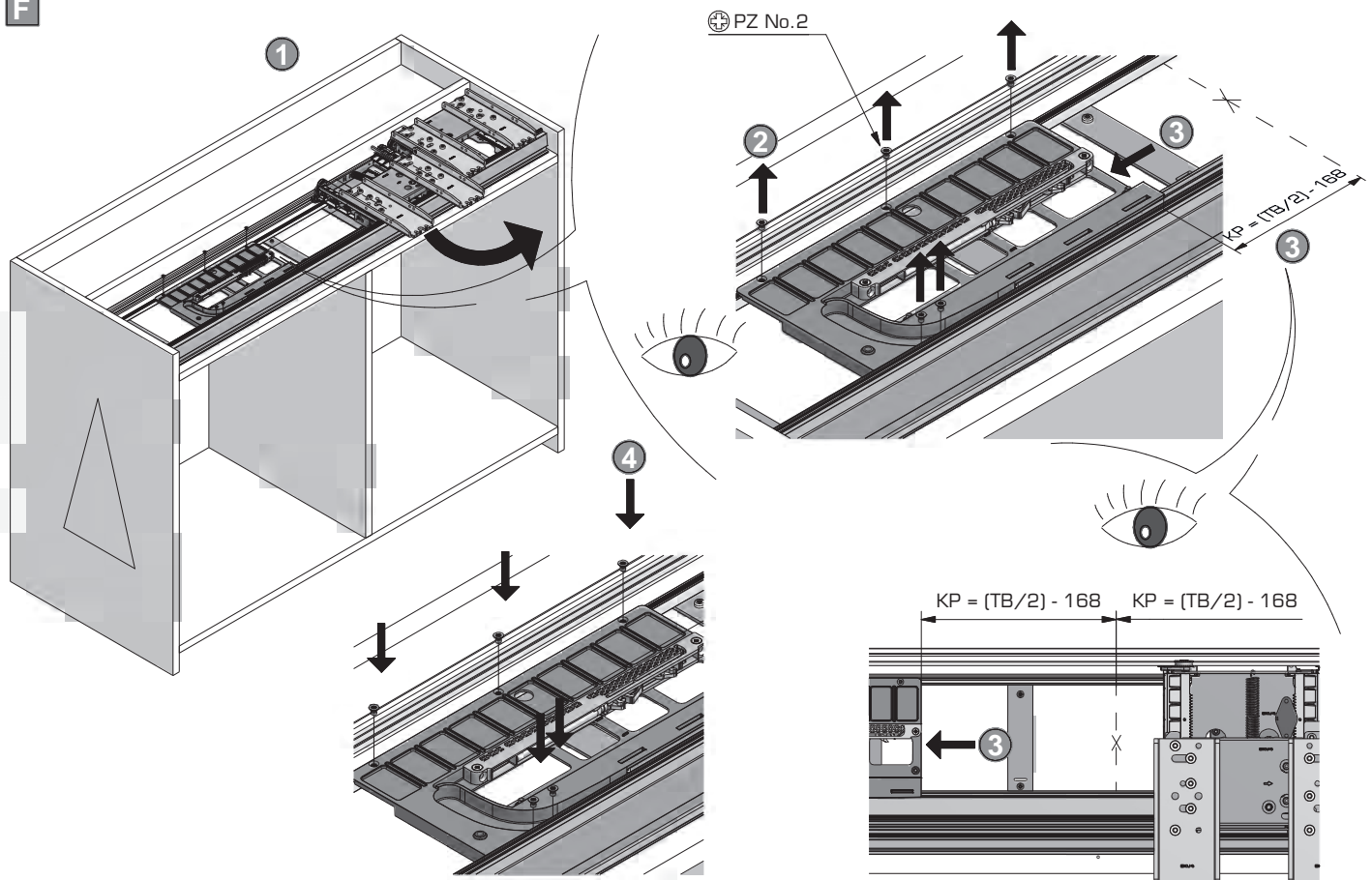
**D**



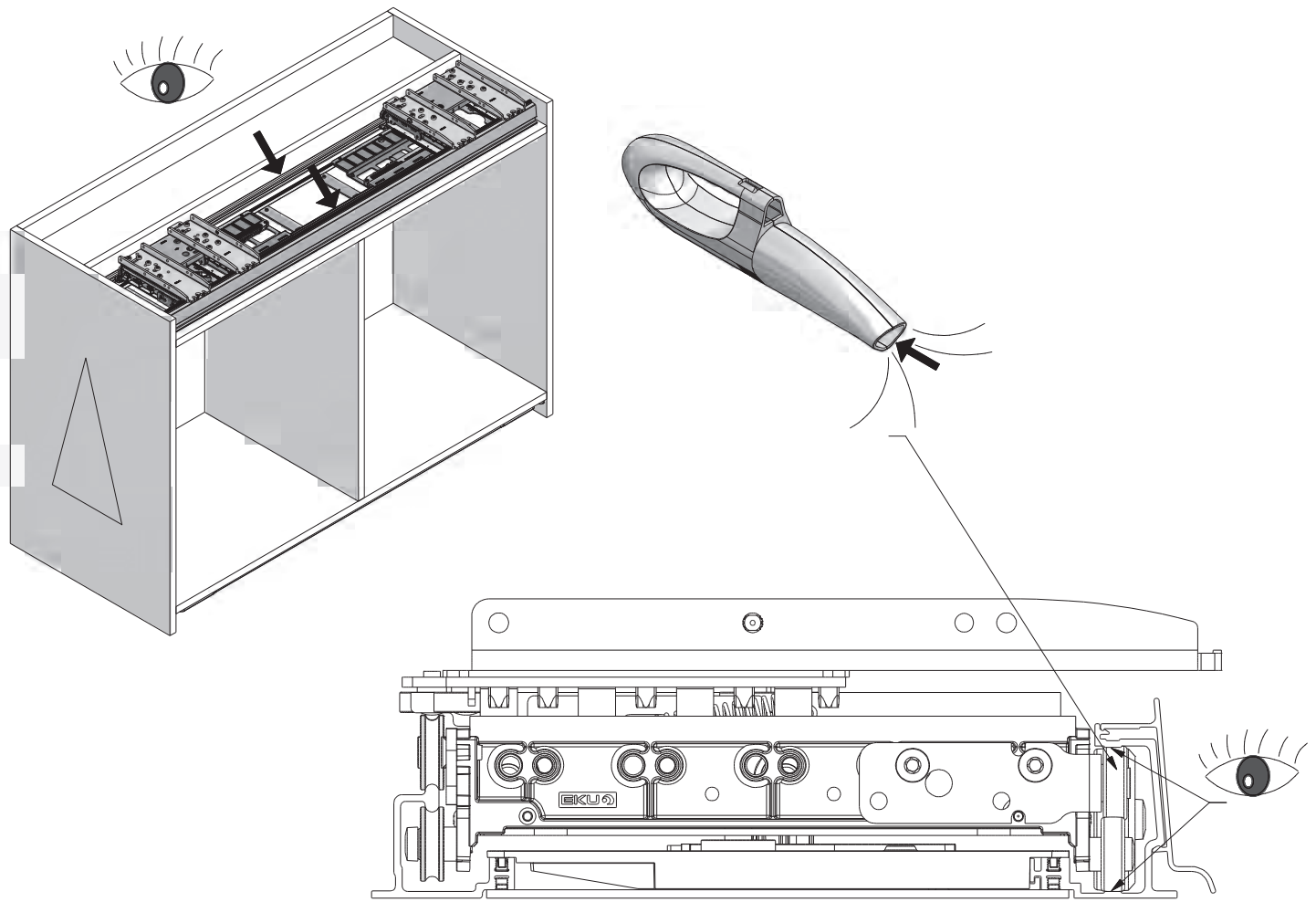
E



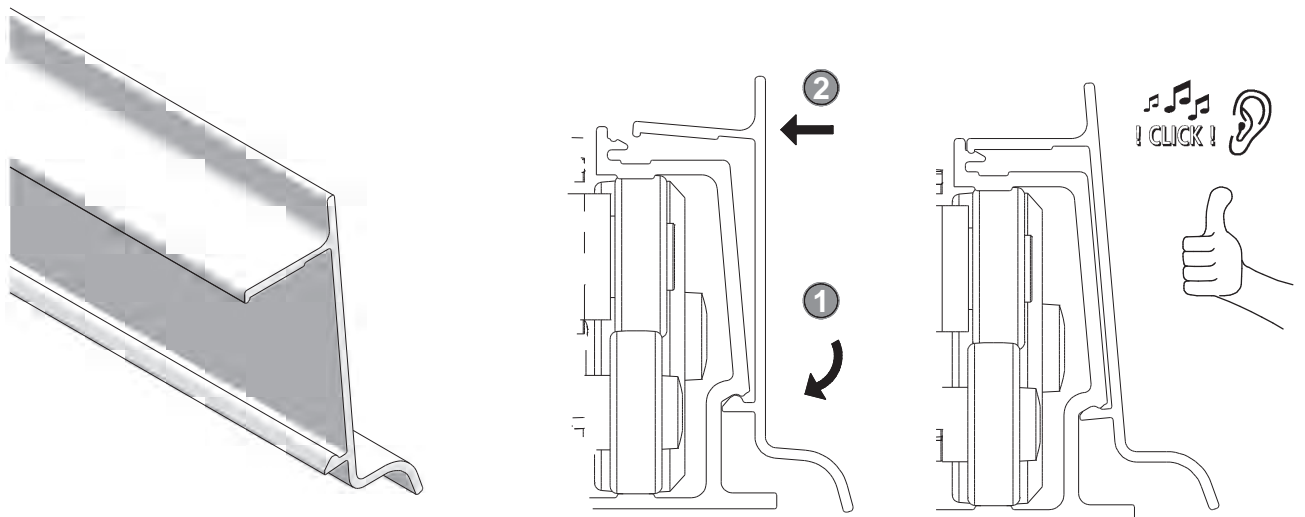
F



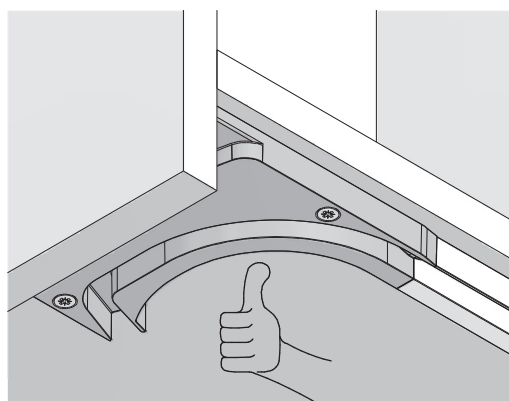
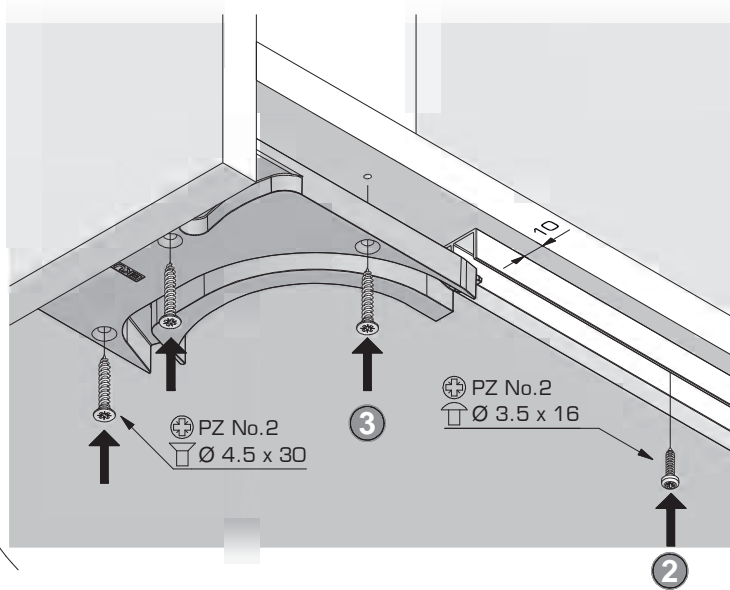
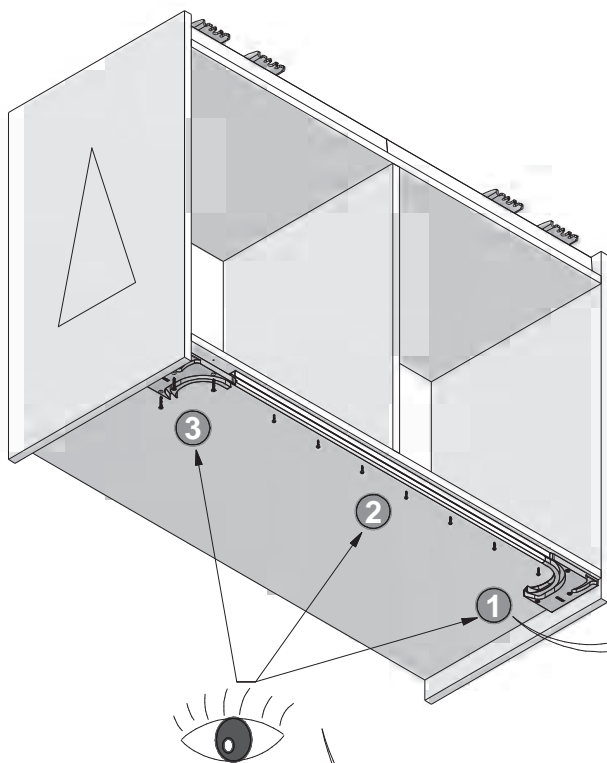
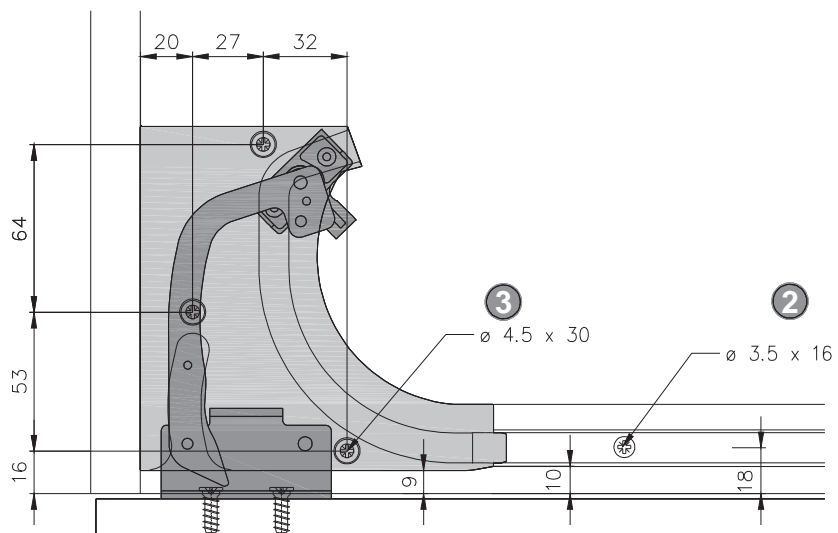
**G** Schienen reinigen! | Clean the tracks! | Nettoyez les rails!



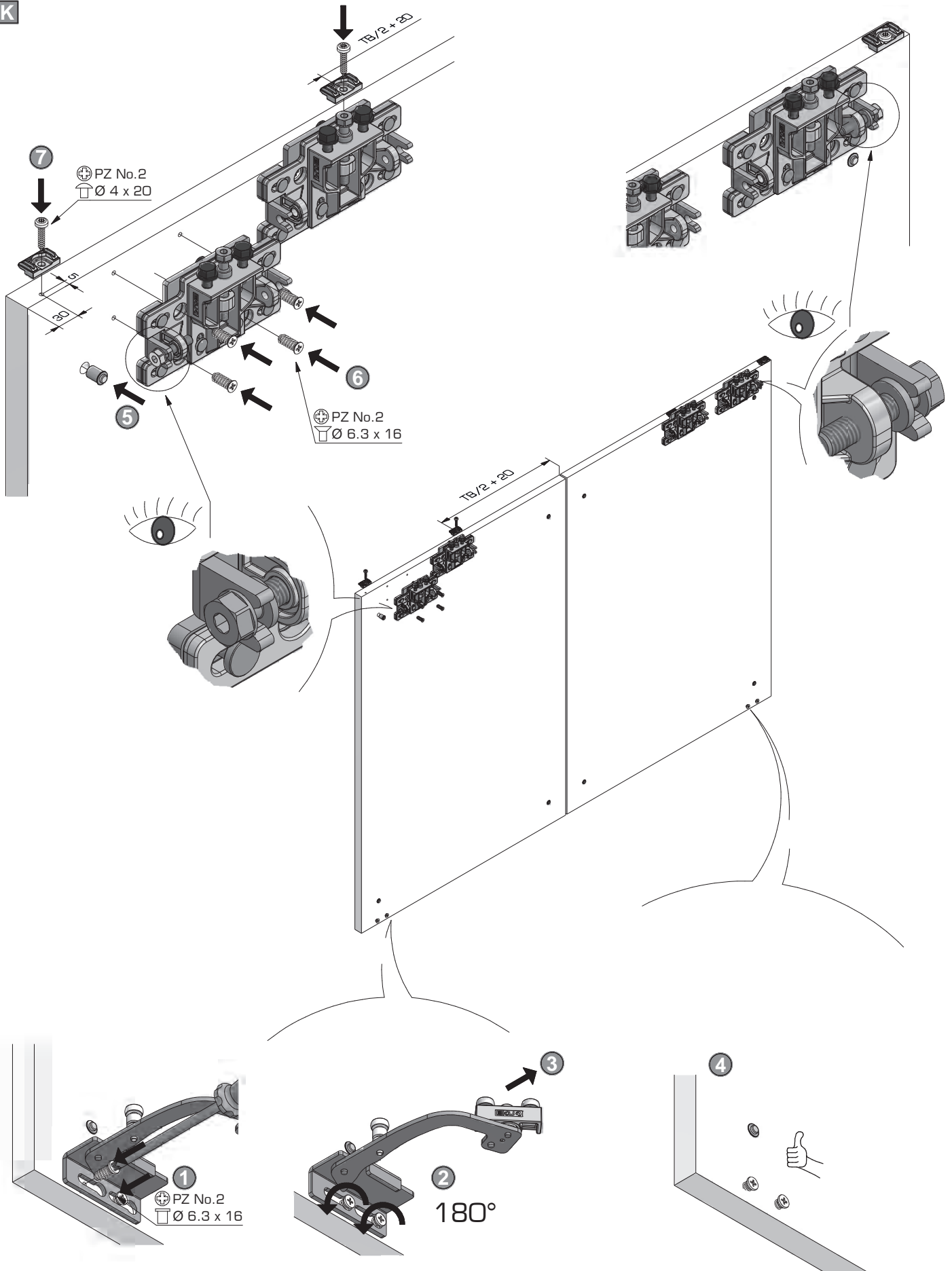
**H**



J

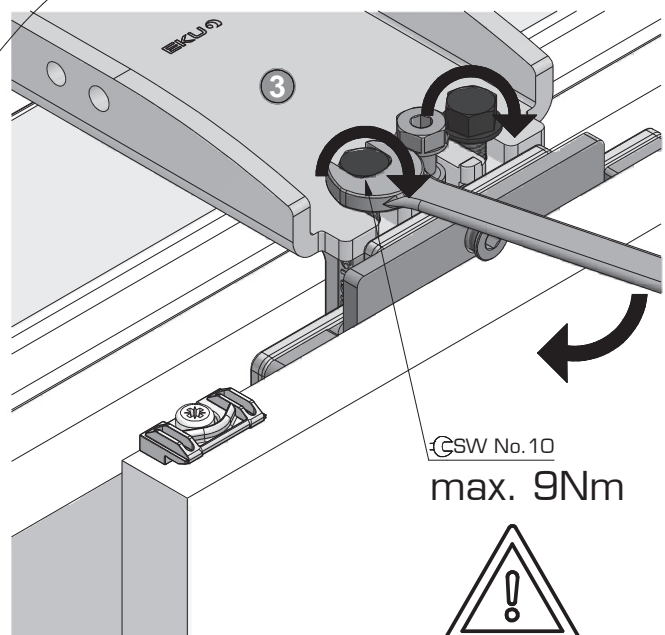
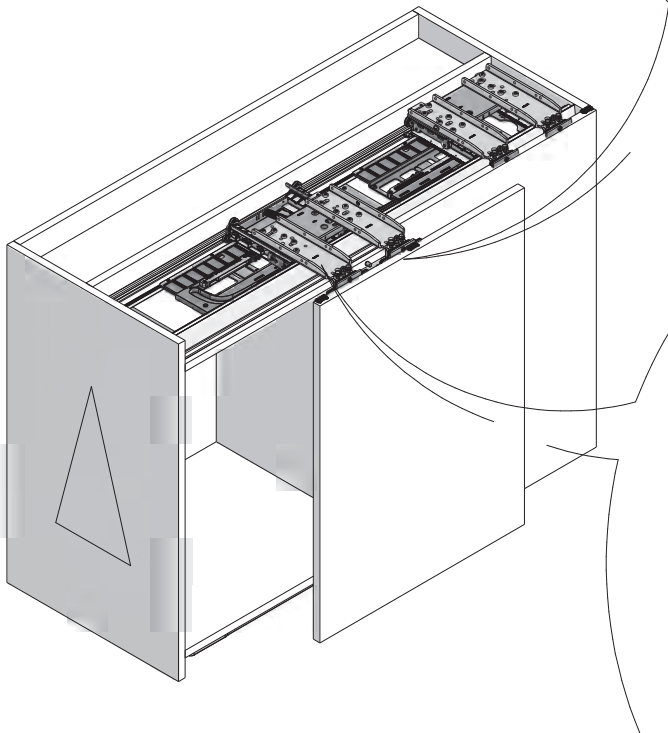
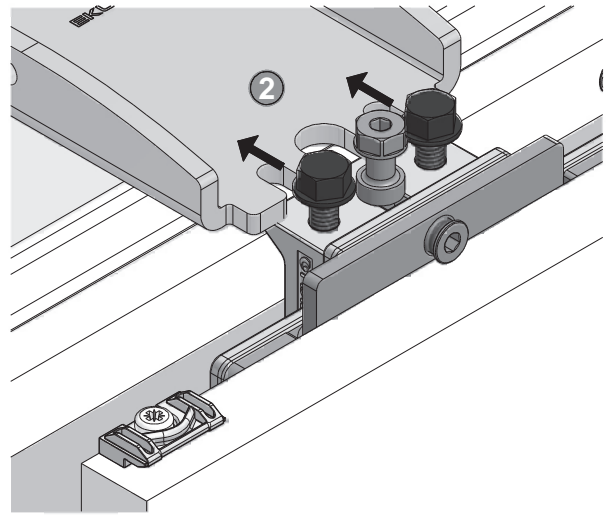
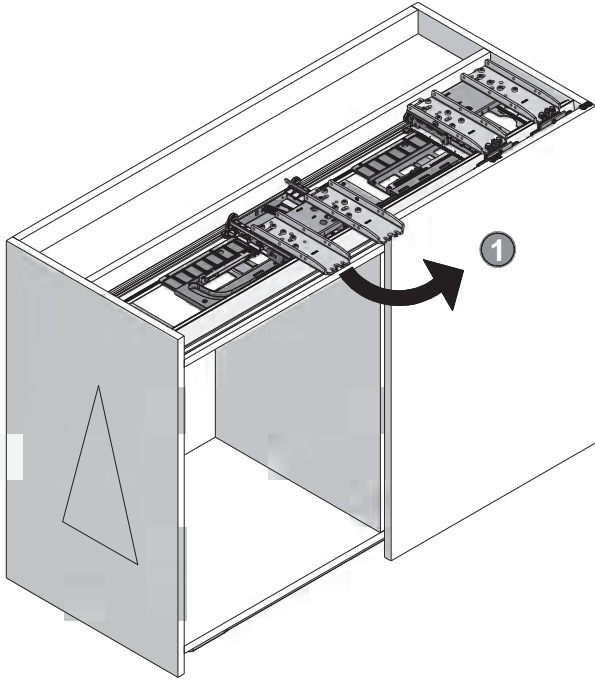


K

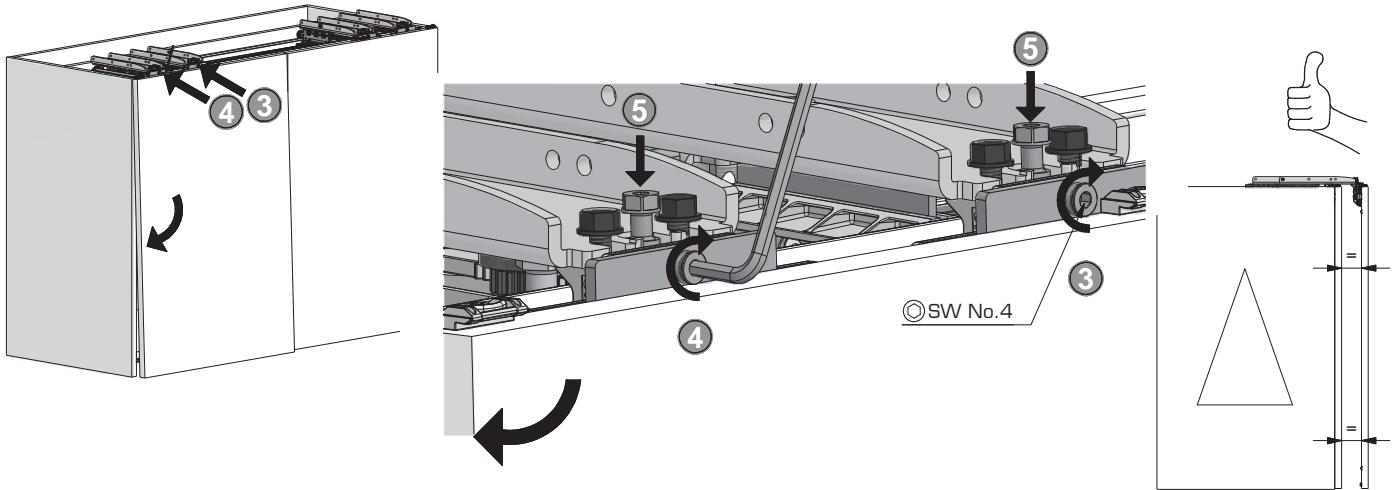
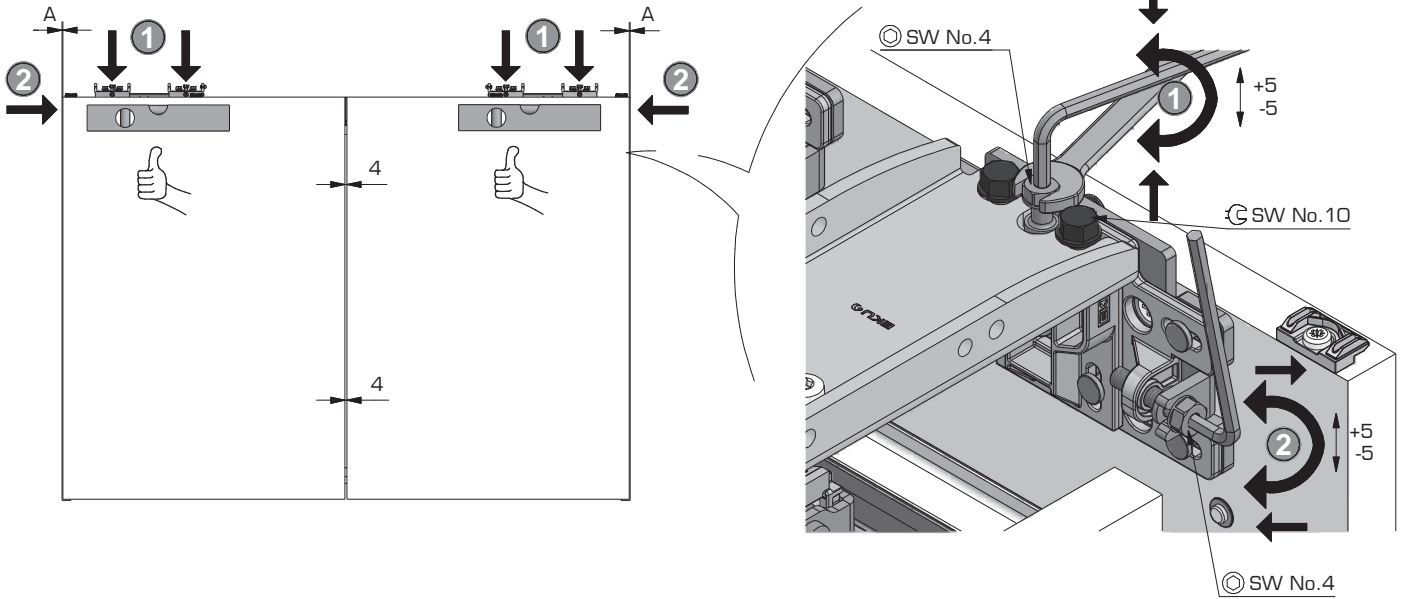




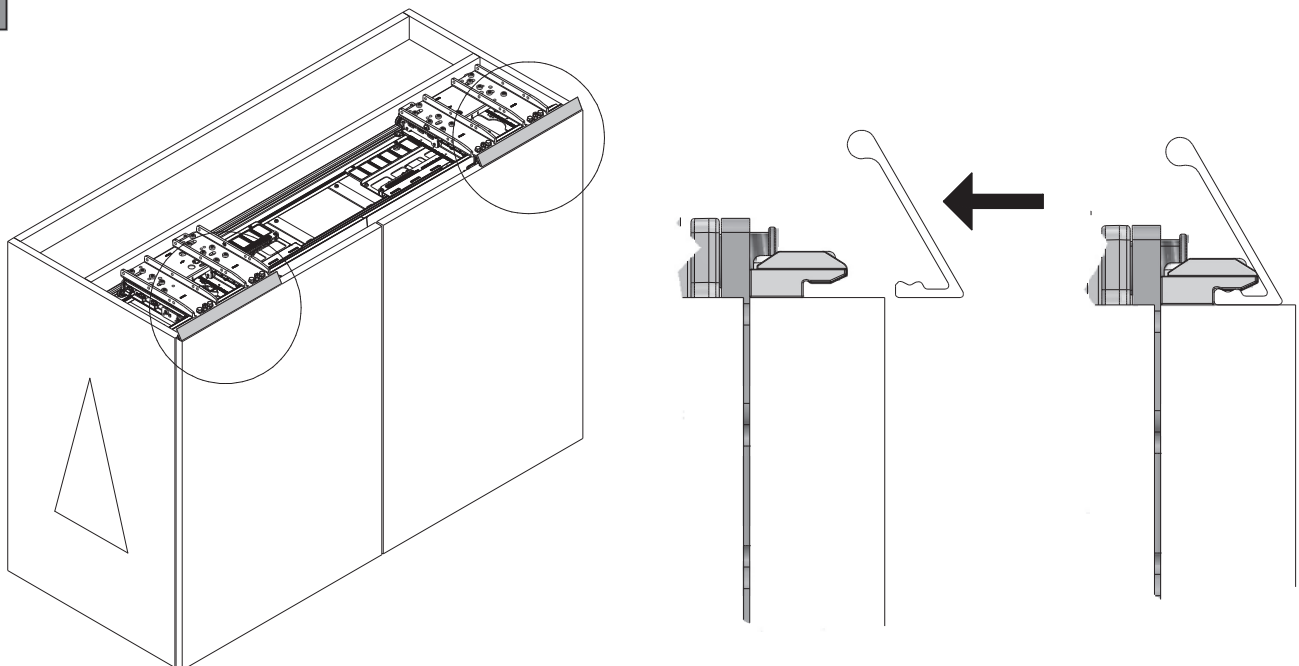
L Türe | Door | Porte



**M** Justieren | Adjust | Ajuster



**N**



0

